



HF3 015-060 Series Filter Elements

*Element Interchange Series
for Pall 9600 & 9601*



Features

- Fits PTI F2P081 / 121, F7F081/121, F7L081
- Replaces Pall Series 9600 & 9601 filter elements
- Element collapse rating 150 psid (10 bar) or 3000 psid (207 bar)
- 15, 30, 50 & 60 gpm (57, 114, 189 & 227 lpm) nominal flow rates
- Elements available with Glas-Tech III® $\beta_{x(c)} \geq 1000$ media
- Optional DryPak® moisture control media

Technical Data

- | | |
|-------------------------------|-----------------------------------|
| • Collapse Rating | 150 psid (10.3 bar) |
| • Operating Temperature | -45°F to +250°F (-43°C to +121°C) |
| • Materials of Construction | |
| Center Tube: | Zn or Tin Plated Steel |
| End Caps: | Zn or Tin Plated Steel |
| • 3000 psid Collapse Elements | |
| • Operating Temperature | -45°F to +250°F (-43°C to +121°C) |
| • Materials of Construction | |
| End Caps: | Aluminum Alloy |
| Center Tube: | Zn or Tin Plated |

All Stainless Steel Construction Available. Please Consult Factory For Information.



Technical Information

Proper fluid maintenance requires periodic replacement of filter elements to ensure maximum contamination control. The HF3 Series filter elements are a cost-effective replacement for Pall Series 9600 & 9601 filter elements. The HF3 element is manufactured with Glas-Tech® proprietary media to meet your filtration requirements. PTI filters are tested to the latest ISO standards for multipass efficiency.

Glas-Tech® High Performance Micro-Fiberglass Media

PTI's proven Glas-Tech® $\beta_{x(c)} \geq 1000$ micro-fiberglass media utilizes multi-layer construction for increased dirt-holding capacity and low pressure drop providing cost-effective contamination control for the most demanding applications. Glas-Tech® can be combined with DryPak® Media to provide particle and moisture protection.

Elements

PTI filter elements are manufactured with the highest quality materials. PTI filter elements feature multi-layer construction for increased dirt-holding capacity and low-pressure drop.

PTI's proprietary media construction allows for higher dirt-holding capacity to extend filter life, reduce cost and minimize downtime for the customer.

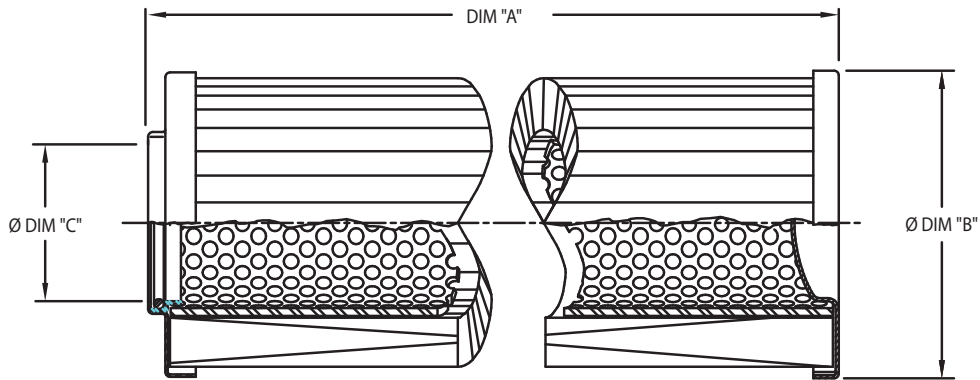
Filtration Rating

Multipass test results per old ISO 4572 and new ISO 16889 test procedures.
Particle size (x) in microns at which the Beta Ratio (β) is greater than or equal to the indicated value (200 or 1000).

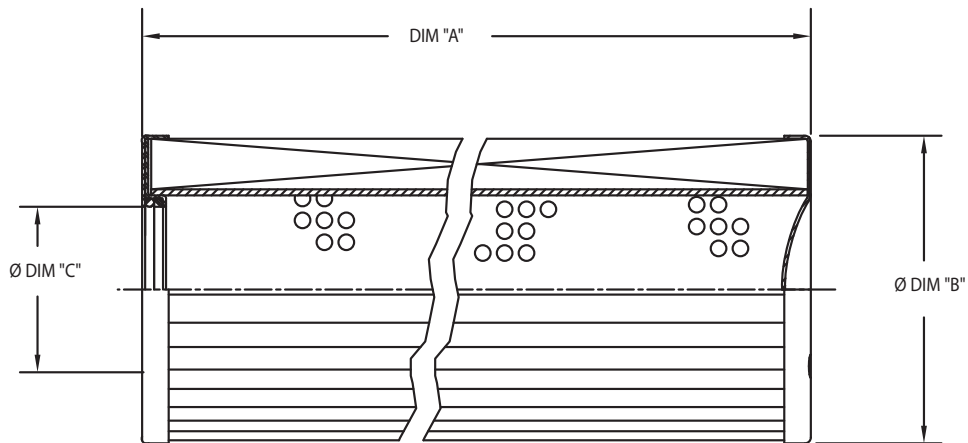
Code	Per ISO 4572	Per ISO 16889	
	$\beta_x \geq 200$	$\beta_{x(c)} \geq 200$	$\beta_{x(c)} \geq 1000$
V	1 μ m	4.2 μ m	4.2 μ m
G	3 μ m	5 μ m	7 μ m
H	6 μ m	7 μ m	9 μ m
K	12 μ m	12 μ m	15 μ m
J	23 μ m	21 μ m	24 μ m
L	35 μ m	28 μ m	35 μ m
	Code	Micron Rating	Media
	E	10 μ m	Water Removal

Dimensions in inches (mm)

HF3(150 psi)



HF3 (3000 psi)



Dimension Information

Element Number	DIM A Inches (mm)	ØDIM B Inches (mm)	ØDIM C Inches (mm)	Size Inches
HF3-015 (150 psi)	4.64 (117.8)	3.15 (80.0)	1.70 (43.1)	4"
HF3-015 (3000 psi)	4.50 (114.3)	3.15 (80.0)	1.70 (43.1)	4"
HF3-030 (150 psi)	8.21 (208.5)	3.15 (80.0)	1.70 (43.1)	8"
HF3-030 (3000 psi)	8.09 (205.5)	3.15 (80.0)	1.70 (43.1)	8"
HF3-050 (150 psi)	12.92 (328.2)	3.15 (80.0)	1.70 (43.1)	13"
HF3-050 (3000 psi)	12.84 (326.1)	3.15 (80.0)	1.70 (43.1)	13"
HF3-060 (150 psi)	16.84 (427.7)	3.15 (80.0)	1.70 (43.1)	16"
HF3-060 (3000 psi)	16.72 (424.7)	3.15 (80.0)	1.70 (43.1)	16"

Ordering Information

Element:



Code	Material
015	15 gpm (57 lpm)
030	30 gpm (114 lpm)
050	50 gpm (189 lpm)
060	60 gpm (227 lpm)

Code	Micron Rating	Media
G	$\beta_{7(c)} \geq 1000$	Glas-Tech III®
H	$\beta_{9(c)} \geq 1000$	Glas-Tech III®
K	$\beta_{15(c)} \geq 1000$	Glas-Tech III®
J	$\beta_{24(c)} \geq 1000$	Glas-Tech III®
M	$\beta_{19(c)} \geq 1000$	Glas-Tech III®
L	$\beta_{35(c)} \geq 1000$	Glas-Tech III®
E	10 μ m	Water Removal

Code	Collapse Rating
F	150 psid (10 bar)
U	3000 psid (207 bar)

Code	Material
B	Buna
V	Viton®
E	Ethylene Propylene

Code	Material
W	DryPak® Media
Omit	No DryPak® Media

Viton® is a registered trademark of DuPont Performance Elastomers

For more info email: fluidpower@ptitechnologies.com



PTI Technologies Inc.
 501 Del Norte Boulevard
 Oxnard, California 93030
 800-331-2701 • 805-604-3700
www.ptitechnologies.com



©2021 An ESCO Technologies Company All Rights Reserved.

PTI Technologies Inc. is certified to ISO standards