



FRF 060-100 Series Duplex Filter Assemblies

*The Toughest, Most Reliable
Filter Assembly Available!*



Features

- 350 psi (24 bar) operating pressure
- 60 & 100 gpm (227 & 379 lpm) nominal flow rates
- Elements available with Bx(c) \geq 1000 Glas-Tech III[®] media
- SAE Code 61 4-bolt flange ports
- Visual indicator
- Transfer valve and convenient bleed valve provides for smooth changeover



Technical Data

- **Pressure & Temperature Rating**
 - Operating Pressure: 350 psi (24 bar)
 - Proof Pressure: 525 psi (36 bar)
 - Burst Pressure: 1,000 psi (69 bar)
 - Operating Temperature: -40°F to +250°F (-40°C to +121°C)

- **Materials of Construction**
 - Cover: Cast Aluminum Alloy
 - Case: Cast Aluminum Alloy

- **Bypass Options**
 - Bypass Valve Setting: 50 psid (3.4 bar) ±10%
Non-Bypass

- **Differential Pressure Indicators**
 - Visual Indicator : 32 psid (2.2 bar) ±10% activation,
self resetting

Elements

PTI FSF SERIES filter elements are manufactured with the highest quality materials. PTI FSF SERIES filter elements feature multi-layer construction for increased dirt-holding capacity and low pressure drop. PTI FSF SERIES filter elements provide cost-effective contamination control for the most demanding applications. All elements are tested to the latest industry standards including ISO 16889 procedure for multipass efficiency.

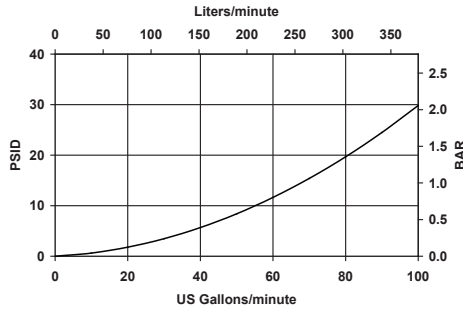
Filtration Rating

Multipass test results per old ISO 4572 and new ISO 16889 test procedures.
Particle size (x) in microns at which the Beta Ratio (β) is greater than or equal to the indicated value (200 or 1000).

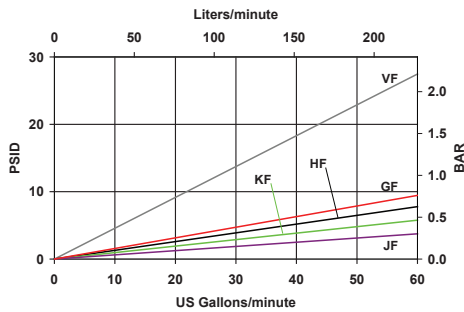
Code	Per ISO 4572	Per ISO 16889	
	$\beta_x \geq 200$	$\beta_{x(c)} \geq 200$	$\beta_{x(c)} \geq 1000$
V	1 μ m	4.2 μ m	4.2 μ m
G	3 μ m	5 μ m	7 μ m
H	6 μ m	7 μ m	9 μ m
K	12 μ m	12 μ m	15 μ m
J	23 μ m	21 μ m	24 μ m

Flow Rate/Pressure Drop Curves

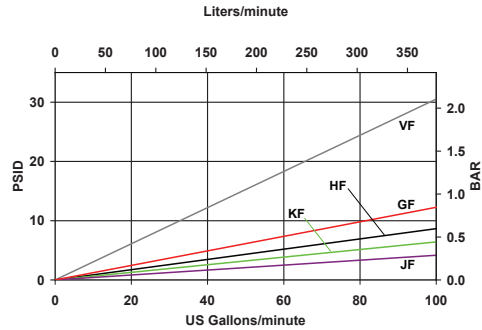
Housing FRF 060/100 - Flow vs Pressure Drop



FSF-060 Elements - Flow vs Pressure Drop

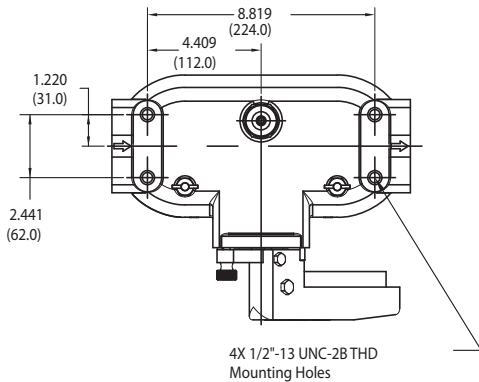


FSF-100 Elements - Flow vs Pressure Drop

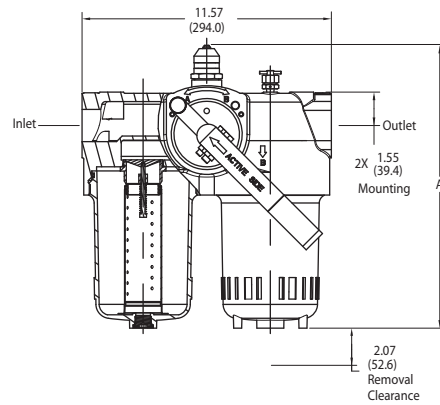


Pressure drop curves are based on 150 SUS (32 cSt) petroleum base hydraulic fluid of 0.9 S.G.
 Filter Assembly ΔP = Housing ΔP + Element ΔP

Assembly Dimensions in Inches (mm)



Model	-060	-100
Dimension A	13.38 (340)	17.63 (448)



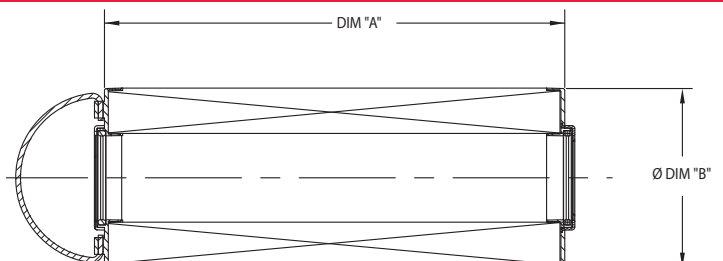
Filter Assembly (Housing Only) Weight

Size	060	100
Weight	21.2 lbs (9.6 kg)	23.3 lbs (10.6 kg)

Element Dimensions in Inches (mm)

Model	-050	-070
Dimension A	6.2 (156.5)	9.6 (244.3)
Dimension B	Ø3.8 (95.2)	Ø3.8 (95.2)

Note: FRF 060 assembly utilizes FSF-050 elements
 FRF 100 assembly utilizes FSF-070 elements.



Ordering Information

Assembly:



Table 1 Size	
Code	Nominal Flow
060	60 gpm (227 lpm)
100	100 gpm (379 lpm)

Table 2 Filtration Rating		
Code	Micron Rating	Media
N	No Filter Element	

Table 3 Collapse	
Code	Collapse Rating
N	No Filter Element

Table 4 Seals	
Code	Material
B	Buna

Table 5 Port	
Code	Option
4	1-1/2" SAE Flange Code 61 (SAE J518)

Table 6 Indicator	
Code	Option
B	Visual 32 psid (2.2 bar) ±10% Pop-Up Indicator

Table 7 Bypass	
Code	Option
N	No Bypass
H	50 psid (3.4 bar) ±10%

Table 8 Drain Port	
Code	Option
X	Drain & Vent Ports

Table 9 Manifold Orientation	
Code	Option
1	Right Hand

* Side of filter assembly. The handle is located on when looking at inlet port.

Note: Assemblies do not include filter elements. Elements are ordered separately.

Element:



Table 1 Size	
Code	Used On
050	FRF060
070	FRF100

Table 2 Filtration Rating		
Code	Micron Rating	Media
V	$\beta_{4.2(c)} \geq 1000$	Glas-Tech III®
G	$\beta_{7(c)} \geq 1000$	Glas-Tech III®
H	$\beta_{9(c)} \geq 1000$	Glas-Tech III®
K	$\beta_{15(c)} \geq 1000$	Glas-Tech III®
J	$\beta_{24(c)} \geq 1000$	Glas-Tech III®

Table 3 Collapse	
Code	Collapse Rating
F	150 psid (10 bar)

Table 4 Seals	
Code	Material
B	Buna

Table 5 Dry Pak® Media	
Code	Material
Omit	Standard Element
W	DryPak® Media

For more info email: fluidpower@ptitechnologies.com



PTI Technologies Inc.
501 Del Norte Boulevard
Oxnard, California 93030
800-331-2701 • 805-604-3700
www.ptitechnologies.com



©2021 An ESCO Technologies Company All Rights Reserved.

PTI Technologies Inc is certified to ISO standards