



# F4S 050 Series Spin-On Suction Filter Assembly

*Low-Pressure Filters for Suction Applications*



## *Features*

- Element collapse rating 75 psid (5 bar)
- 50 gpm (189 lpm) nominal flow rate
- 3 psid bypass valve built into element
- Replaces CanFlo P/N CF 10-E



## Technical Information

Proper fluid maintenance requires periodic replacement of filter elements to ensure maximum contamination control. The F4S series filter assembly utilizes a spin-on element that allows rapid replacement of the element. The Micro-fiberglass media is well proven in thousands of applications. Excellent particle retention is assured with very low-pressure drop.

## Technical Data

- Collapse Rating 75 psid (5 bar)
- Operating Pressure 200 psi (14 bar)
- Operating Temperature -40°F to +250°F (-40°C to +121°C)
- Materials of Construction
  - Head: Aluminum Alloy
  - Spin On: Steel
- Seal Material Options
  - Seal Materials: Buna
  - Viton®
- Bypass Valve 3 psid Bypass Valve Built Into Spin-on Element

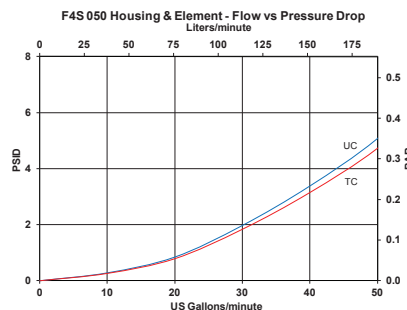
## Elements

PTI filter elements are manufactured with the highest quality materials. PTI filter elements feature multi-layer construction for increased dirt-holding capacity and low pressure drop. PTI elements provide cost-effective contamination control for the most demanding applications. All elements are tested to the latest industry standards including ISO 16889 procedure for multipass efficiency.

## Filtration Rating

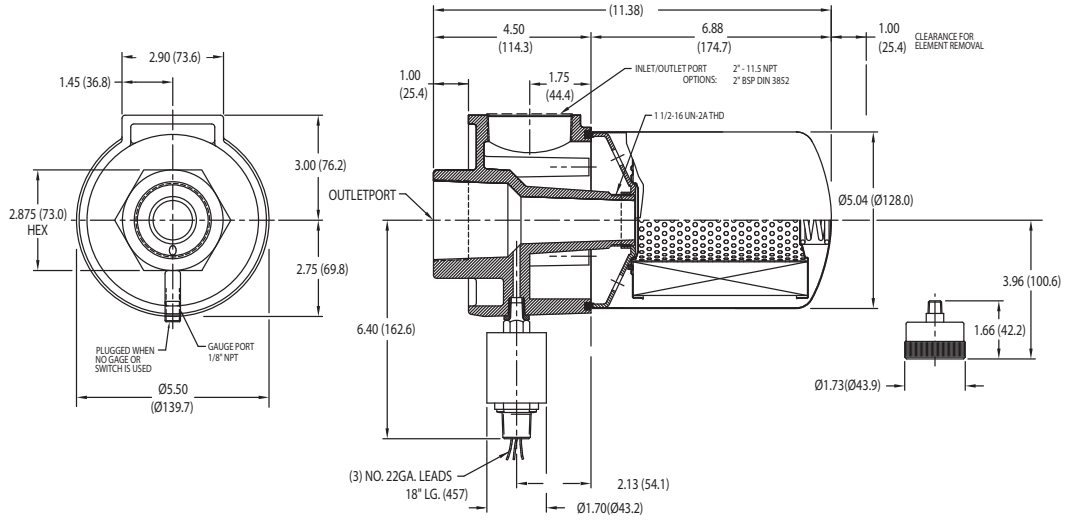
Code	Micron Rating	Media
T	149µm	CRES Wire Mesh
U	40µm	Glass

## Flow Rate/Pressure Drop Curves

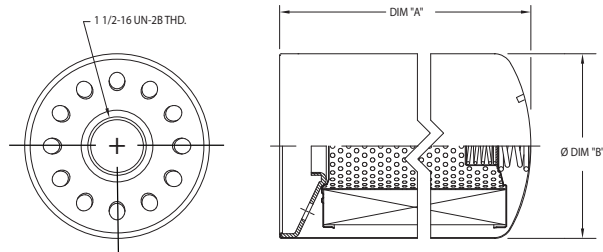


Pressure drop curves are for clean elements using 150 SUS (32 cSt) petroleum base hydraulic fluid of 0.9 S.G. Filter Assembly  $\Delta P$  = Housing  $\Delta P$  + Element  $\Delta P$

## Assembly Dimensions in Inches (mm)



## Element Dimensions in Inches (mm)



Nominal Flow	DIM A Inches (mm)	DIM B Inches (mm)
-050	6.95 (176.0)	5.04 (128.0)

## Ordering Information

Assembly:

F4S	050	X	X	-	X	X	X	X	X	X
TBL 1	TBL 2	TBL 3	TBL 4	TBL 5	TBL 6	TBL 7	TBL 8	TBL 9		

**Table 1**      **Size**

Code	Nominal Flow
050	50 gpm (189 lpm)

**Table 2**      **Filtration Rating**

Code	Micron Rating	Media
U	40 µm	Synthetic
T	149 µm	CRES
N	None	

**Table 3**      **Collapse**

Code	Collapse Rating
C	75 psid (5 bar)
N	No Filter Element

**Table 4**      **Seals**

Code	Material
B	Buna
V	Viton®

Viton® is a registered trademark of DuPont Performance Elastomers

**Table 5**      **Port**

Code	Option
H	2" NPT (female)

**Table 6**      **Gauge Options**

Code	Option
0	None
2	Vacuum Gage
3	Vacuum Switch

**Table 7**      **Gage Port Size**

Code	Option
6	One 1/4" NPT

**Table 8**      **Bypass Options**

Code	Option
R	*3 psid (0.2 bar)

\* only available with bypass

**Table 9**      **Options**

Code	Option
N	None

Note: Not recommended for 5 gpm or less variable piston pump applications

Element:

F4S-	050	-	X	-	C	-	X
TBL 1	TBL 2	TBL 3					

**Table 1**      **Filtration Rating**

Code	Micron Rating	Media
U	40 µm	Synthetic
T	149 µm	CRES Mesh

Note: Bypass valve is built into the Spin-on Element

**Table 2**      **Collapse**

Code	Collapse Rating
C	75 psid (5 bar)

**Table 3**      **Seals**

Code	Material
B	Buna
V	Viton®

Viton® is a registered trademark of DuPont Performance Elastomers

For more info email: [fluidpower@ptitechnologies.com](mailto:fluidpower@ptitechnologies.com)



PTI Technologies Inc.  
501 Del Norte Boulevard  
Oxnard, California 93030  
800-331-2701 • 805-604-3700  
[www.ptitechnologies.com](http://www.ptitechnologies.com)



©2021 An ESCO Technologies Company All Rights Reserved.

PTI Technologies Inc is certified to ISO standards