

FJD 040 Series

Low Pressure Filter Assembly



Parts Matrix

FJD040 - 080 Parts Matrix

The FJD filter assemblies come in two different sizes: The 040 single element size and the 080 double element size. Other than the case assembly (Item #2) and the number of elements, the other hardware is the identical. In addition, each size has four configurations: With a bypass valve or without a bypass valve and with a plain cover or with a cover having a vent and a fill port. See the FJD040-080 Pictorial.doc for more information.

Item	Part No	Part Name	QTY	Notes
1a	59350	Cover	1	1
1b	60260	Cover Assembly	1	2
2 ₀₄₀	9322439	Case Assembly	1	For 040 size.
2 ₀₈₀	9322443	Case Assembly	1	For 080 size.
3a	FJD-040-BC-B	Element – 3u paper	1 or 2	040 uses 1; 080 uses 2
3b	FJD-040-CC-B	Element - 10u paper	1 or 2	040 uses 1; 080 uses 2
3c	FJD-040-DC-B	Element – 25u paper	1 or 2	040 uses 1; 080 uses 2
3d	FJD-040-GC-B	Element - $\beta_3 \geq 200$	1 or 2	040 uses 1; 080 uses 2
3e	FJD-040-HC-B	Element - $\beta_6 \geq 200$		
3f	FJD-040-KC-B	Element - $\beta_{12} \geq 200$	1 or 2	040 uses 1; 080 uses 2
3g	FJD-040-JC-B	Element - $\beta_{23} \geq 200$	1 or 2	040 uses 1; 080 uses 2
4	9320435	Nameplate (Blank)	1	Not shown
5	9326688	Plug (Drain Port)	1	5/8-18 UNF-2A
6	7494	Gasket (Drain Port)	1	6
7	22199	Bracket	2	
8	CF-771-0003	Lock Washer	2	3/8 (4 required #13/#14 are used)
9	CF-700-0003	Hex Nut	2	3/8-16
10	CF-760-0059	Bolt, Hex Head	2	3/8-16 x 3 1/4"
11	62448	Bypass Valve Assembly	1	3
12	6670117	Retainer	1	4
13	6654655	Clamping Ring Assembly	2	5
14	6653481	Bolt (3/8-16 x 2" Grade 5)	2	5
15	15002	Vent Valve	1	
16	9326688	Plug (Fill Port)	1	
17	7494	Gasket (Fill Port)	1	6
18	9326980	Shipping Plugs	2	
19	6653463	Gasket (Cover to Case)	1	6
20	CF-070-0015	V-Band Coupling	1	

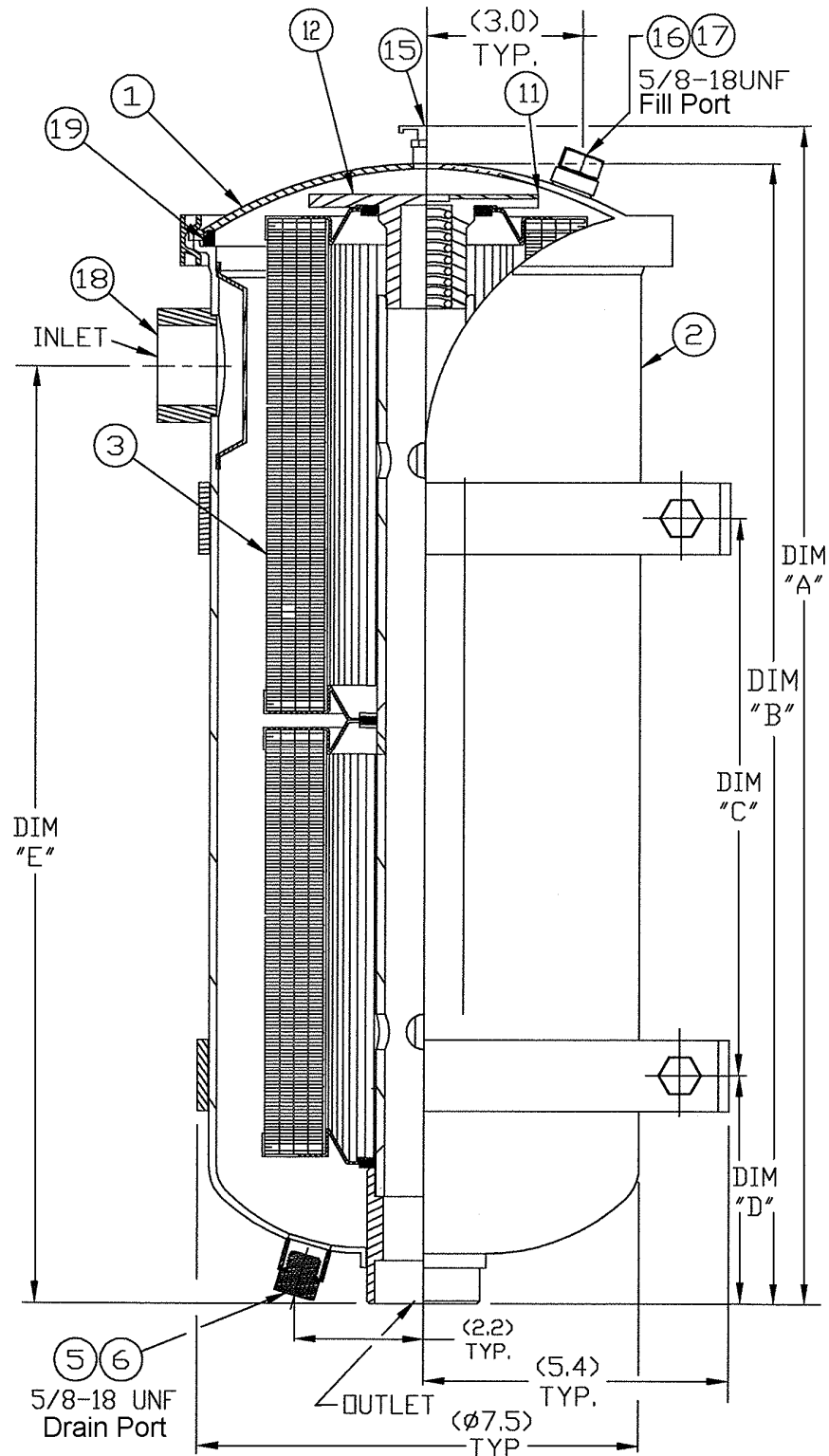
- Note 1 Standard cover designated by P/N FJD0x0xx-BFONxD
 2 Cover with vent port / fill port designated by P/N FJD0x0xx-BFONxW
 3 Only used on assembly with bypass valve designated by P/N FJD0x0xx-BFONBx.
 4 Only used on assembly without bypass valve designated by P/N FJD0x0xx-BFONNx
 5 Obsolete clamping hardware now superseded by V-Band Coupling (#20)
 6 Contained in Seal Kit P/N 9326373 (Items #6, #17 & #19)

FJD040 / 080 Pictorial

The FJD040 is a single element filter. The FJD080 is a double element filter. The view shown below is for the FJD080 configuration. The FJD040 is identical to the FJD080 except for the number of elements and the case length. A dimension table is given at the left side of this page. The cover and clamping devise are shown on page 2. To determine the part numbers of the detail hardware see document "FJD040-080 Parts Matrix.doc."

M	F
O	J
D	D
E	0
L	4
No.	0
DIM "A"	11.9
DIM "B"	10.9
DIM "C"	2.6
DIM "D"	3.2
DIM "E"	7.6

M	F
O	J
D	D
E	0
L	8
No.	0
DIM "A"	20.5
DIM "B"	18.5
DIM "C"	9.8
DIM "D"	3.4
DIM "E"	16.2

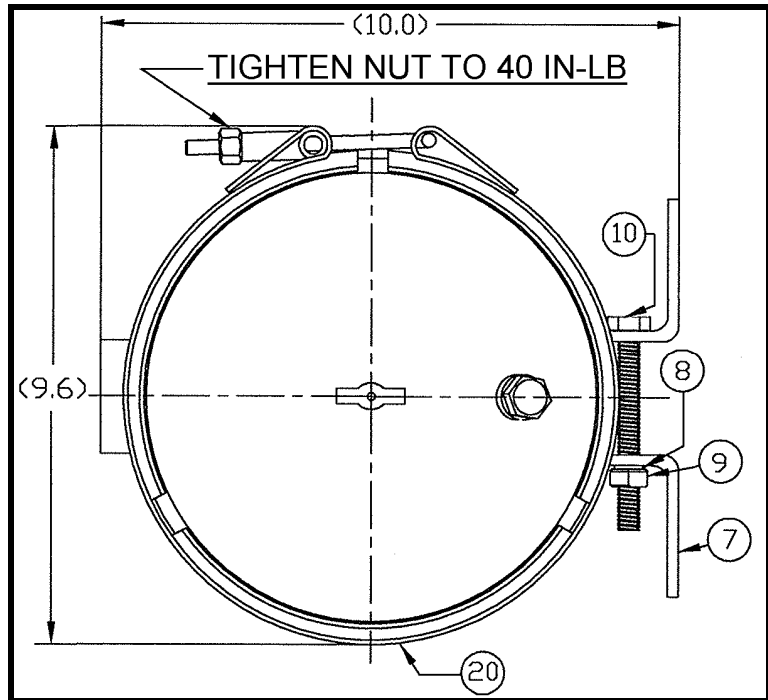


Both INLET and OUTLET Ports are 1 1/4"-11.5 NPTF

V-Band Coupling Configuration

This is the current cover and clamping design. The clamp is a single V-Band Coupling.

The former two clamping ring half's design, shown below, can be upgraded to this new configuration. See the conversion instructions given below the description of the Two Clamping Ring Half configuration.



Two Clamping Ring Half Configuration

This is the former Two Clamping Ring Half configuration. It consists of two clamping ring half's, two machine screws and two lock washers.

It is recommended that customers who have filter assemblies with this configuration convert them to the new V-Band Coupling configuration.

Conversion Instructions:

1. Purchase a V-Band Coupling (#20).
2. Depressurize the filter assembly.
3. Remove the clamping ring half hardware (#8, #13 & #14).
4. Install the V-Band Coupling.

