

F7F 040-100 Series

Duplex Filter Assembly



Parts Matrix

F7F Parts Matrix (To be used with the F7F Pictorial.doc)

Please read the following information prior to using this parts 'Matrix':

1. There are three different sizes of F7F assemblies, the -040, -080 & the -100. Only the Bowl (#1) and the Element (#2) are different. A subscript has been added to item numbers to differentiate between the sizes.
2. The F7F assemblies are offered with Buna O Rings and with Viton O Rings. Use either the Buna or the Viton Part Number column.
3. The F7F assemblies are offered with either a 50 psid bypass valve or a no-bypass valve options. Also, the head assembly is offered with either the SAE J514 straight thread port (-24) or with the SAE J518 four bolt flange port (Code 61). These options are part of the head assembly. See the Head Assembly table below.

	Head P/N with Bypass Valve	Head P/N without Bypass Valve
Head with SAE J514 Straight Thread Port	782.702.5	851 1838 000
Head with SAE J518 Flange Port	783.123.3	851 1863 000

4. The F7F assemblies are available with several different types of indicator devices – actuation is 32 PSID \pm 10%.
 - A. Self-resetting indicator designated with the letters OQ.
 - B. Manual reset indicator designated with the letters OB.
 - C. Visual / Electrical indicator designated with the letters OK. Note: All Electrical indicators require the "OB" visual indicator.
 - D. Visual / Electrical indicator with a thermal lockout of the electrical signal (Normally Open) designated with the letters TK.
 - E. Visual / Electrical indicator with a thermal lockout of the electrical signal (Normally Closed) designated with the letters UK
5. The F7F head assemblies have internal seals. Replacement seals are available in a kit. The kit contains all the seals required for the head assembly. Due to changes in the configuration of the heads, there are different kits for each configuration. See information in the "F7F Seals.doc".
6. The diverter valve and the head are a matched set. Therefore, replacement diverter valves are not offered. If the internal cavity of the head or if the diverter valve is damaged then the head assembly must be replaced.
7. Replacement handles are available.

The plastic handle is P/N 835.018.3	(Not interchangeable with the metallic handle)
The metallic handle is P/N 792.056.4	(Not interchangeable with the plastic handle)

Item No.	Part Name with actuation psig in ()	Buna Part Number	Viton Part Number	QTY	Comments and Notes
1-040	Bowl for F7F040 series	CF-230-0021	Same as Buna Part No.	2	Includes drain plug w/o-ring
1-080	Bowl for F7F080 series	CF-230-0022	Same as Buna Part No	2	Includes drain plug w/o-ring
1-100	Bowl for F7F100 series	CF-230-0023	Same as Buna Part No	2	Includes drain plug w/o-ring
2	Element	See the F7F / F7L Brochure		2	
3	Bowl O Ring	9325960	9324587	2	
4	Post O Ring	CF-300-0092	CF-300-0093	2	
5	Head Assembly	See Table Above	Consult Factory	1	See Table in note3 above.
6	Nameplate	9327158	Same as Buna Part No	1	Not shown
7	Plug Shipping	N/A	N/A		
8 _{OK}	Electrical Section	851 9530 000	Same as Buna Part No	1	
8 _{TK}	Electrical Section – with Thermal Lockout	PiS3002	Same as Buna Part No	1	Normally Open
8 _{UK}	Electrical Section – with Thermal Lockout	PiS3003	Same as Buna Part No	1	Normally Closed
9 _B	Visual Indicator – manual reset	851 0936 000	Same as Buna Part No	1	
9 _Q	Visual Indicator – self resetting	CF-440-0004	CF-440-0005	1	
10	Plug (used in no indicator configurations)	851 0455 016	9314774	1	
11	N/A				
12	N/A				
13	N/A				
14	N/A				

Additional Hardware Information (No item number shown on pictorial documents):

Item Description	Part No.	Comments and Notes
Aluminum Handle	792.056.4	Replacement handle for units having an aluminum handle – not interchangeable with plastic handle.
Plastic Handle	835.018.3	Replacement handle for units having a plastic handle – not interchangeable with aluminum handle.
Running Surface	835.015.9	Only used on units (Configuration 2) that have a running surface.

SEAL KIT INFORMATION

FOR

F7F Duplex Filter Assemblies

Due to production changes there are several different seal kits for the F7F Duplex Filter assembly. The original version used an aluminum handle. The later version used a plastic handle with a plastic running surface. The "foot", in the plastic handle, locks into a slot in the running surface. The latest version uses the plastic handle but does not have a running surface. The contour of the head assembly has been modified so that the "foot" latches on the aluminum head. Unfortunately, these different types also have minor internal changes, which require different size O Rings. The seal kits are listed in "TABLE 1".

If only the bowl seal or the element post seal is required, they can be found in "TABLE 2".

TABLE 1

HANDLE TYPE	Aluminum	Plastic w/Running Surface	Plastic w/o Running Surface
Buna Seals	780.947.8	830.502.1	976.123.0
Viton Seals	780.950.2	830.501.3	976.124.8
EPR Seals	780.951.0	830.503.9	976.125.5

TABLE 2

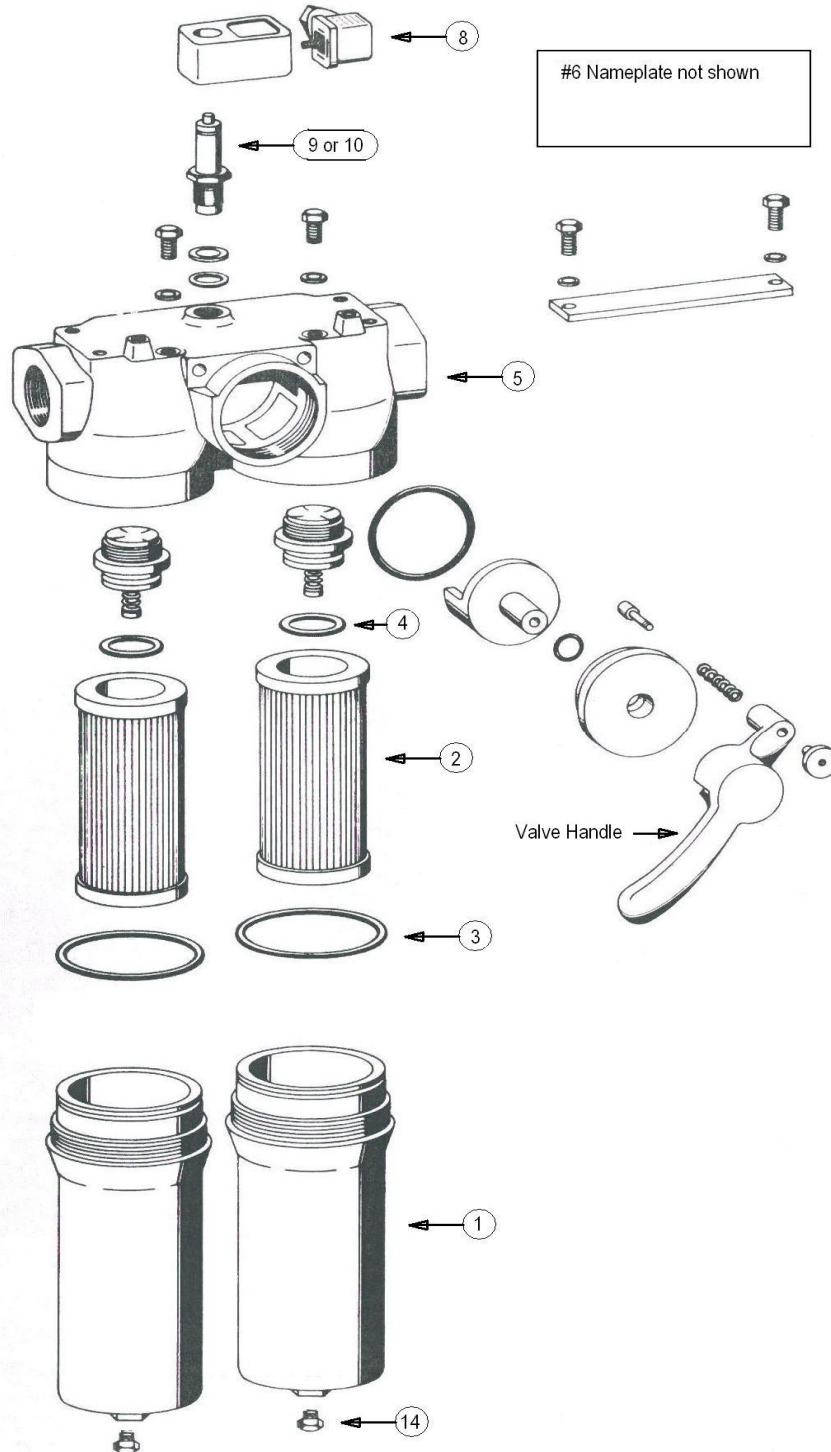
WARNING: Buna filter assembly cannot change to a Viton filter assembly by just using the seals in TABLE 2. To convert a Buna filter assembly to a Viton filter assembly, please contact PTI Technologies Technical Service.

SEAL MATERIAL	POST O RING	BOWL O RING (Metric 105 x 3)	Seal Kit*
BUNA	CF-300-0092	9325960	9326708
VITON	CF-300-0093	9324587	TBD

* Kit contains 2 Post O Rings, 2 Bowl O Rings and an aluminum gasket P/N 086 0852 016.

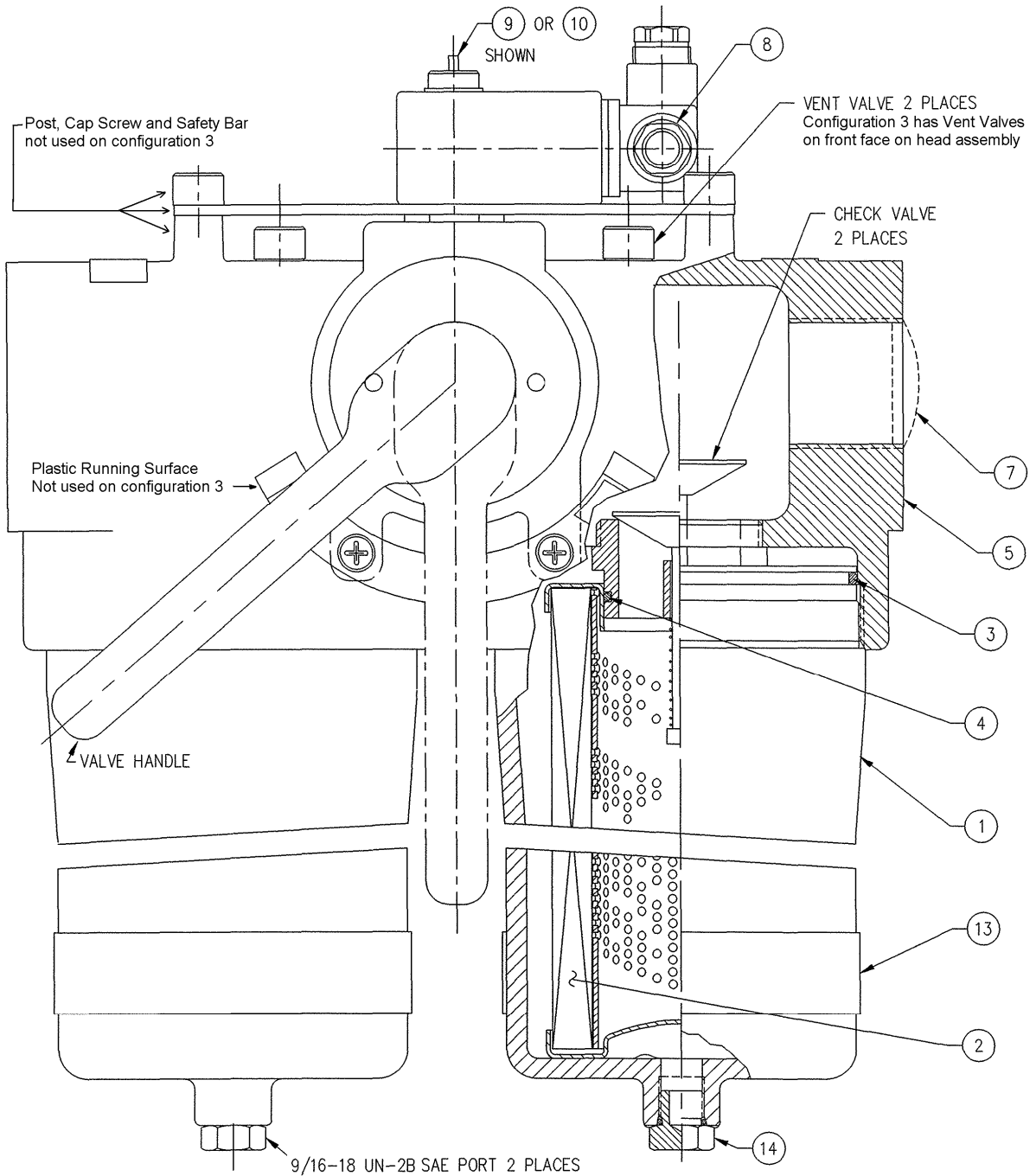
F7F Pictorial (Configuration 1)

(To be used with F7F Parts Matrix)



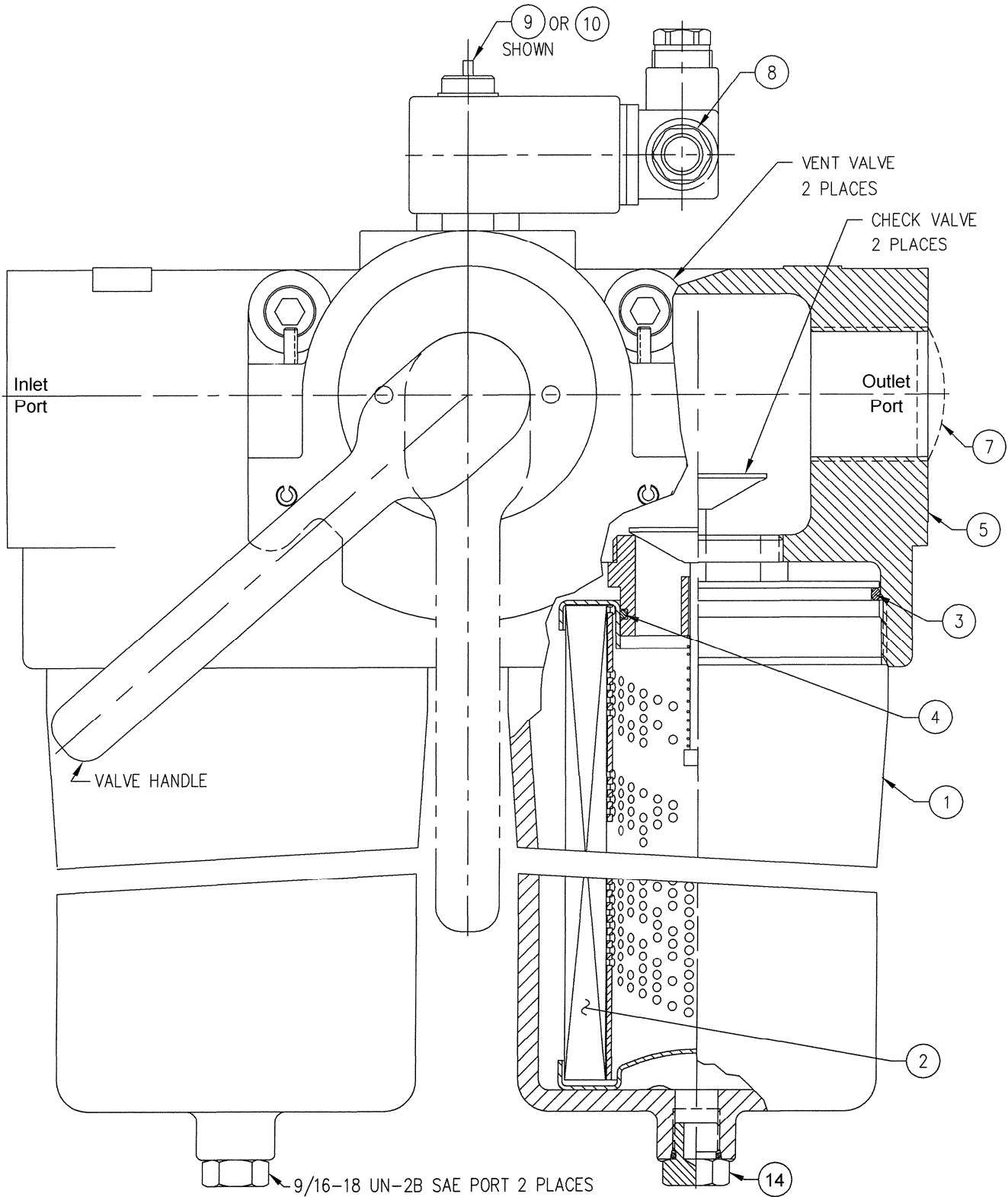
F7F Pictorial (Configuration 2)

(To be used with F7F Parts Matrix)



F7F Pictorial (Configuration 3)

(To be used with F7F Parts Matrix)



Internal O Ring information

