

F5D 070-150 Series

In-Tank Filter Assembly



Parts Matrix

F5D-070 Parts Matrix

The F5D-070 parts matrix is to be used with the F5D-070 Pictorial document.

Item No.	Part Name	Buna Part Number	Viton Part Number	QTY	Comments and Notes
1	Head	See Note 1	See Note 1	1	1
2	Bowl	See Note 2	See Note 2	1	2
3	Element	See Note 3	See Note 3	1	3
4	Gasket (Head to Tank)	CF-300-0015	CF-300-0016	1	
5	O Ring (Bowl to Head)	348-B	348-V	1	
6	O Ring (Head to Cover)	252-B	252-V	1	
7	Gauge, Pressure	CF-400-0015	Same as Buna Part No	1	
8	Switch, Pressure	CF-410-0002	Same as Buna Part No	1	
9	Plug (1/8" NPT)	9327428	Same as Buna Part No	A/R	
10	Deleted				
11	Housing, Bypass	CF-520-0003	Same as Buna Part No	1	
12	Poppet, Bypass	CF-500-0002	Same as Buna Part No	1	
13	Shipping Plugs		Same as Buna Part No	1	
14	Spring, Bypass	CF-625-0050	Same as Buna Part No	1	
15	Ring, Retaining	CF-710-0001	Same as Buna Part No	1	
16	Cover	CF-110-2011	Same as Buna Part No	1	
17	Bolt	CF-762-0003	Same as Buna Part No	4	
18	Spring, Retaining	CF-630-0003	Same as Buna Part No	1	
19 - 23	Deleted items 19, 20, 21, 22 & 23				
24	Gauge, Vacuum	CF-400-0050	Same as Buna Part No	1	
25	Switch, Vacuum	CF-410-0010	Same as Buna Part No	1	
26	Nameplate	9327158	Same as Buna Part No	1	
27	Pipe Plug (1-1/4" NPT)	CF-720-0004	Same as Buna Part No	1	4

- Notes 1. The head part numbers varies per the port size. See the head part number table below.
2. The standard bowl is P/N CF-220-2006, designated by the last letter of the part being a N.
 The bowl with the 12" extension is P/N CF-220-2010, designated by the last letter of the part being a E.
 The bowl with a 1-1/2" NPT port is P/N CF-230-0005, designated by the last letter of the part being a G.
 The bowl with a anti drain valve is P/N CF-220-0014, designated by the last digit of the part being a 4.
3. For elements, consult the F5D Series Brochure
4. Only required on a special head with a BSPP port.

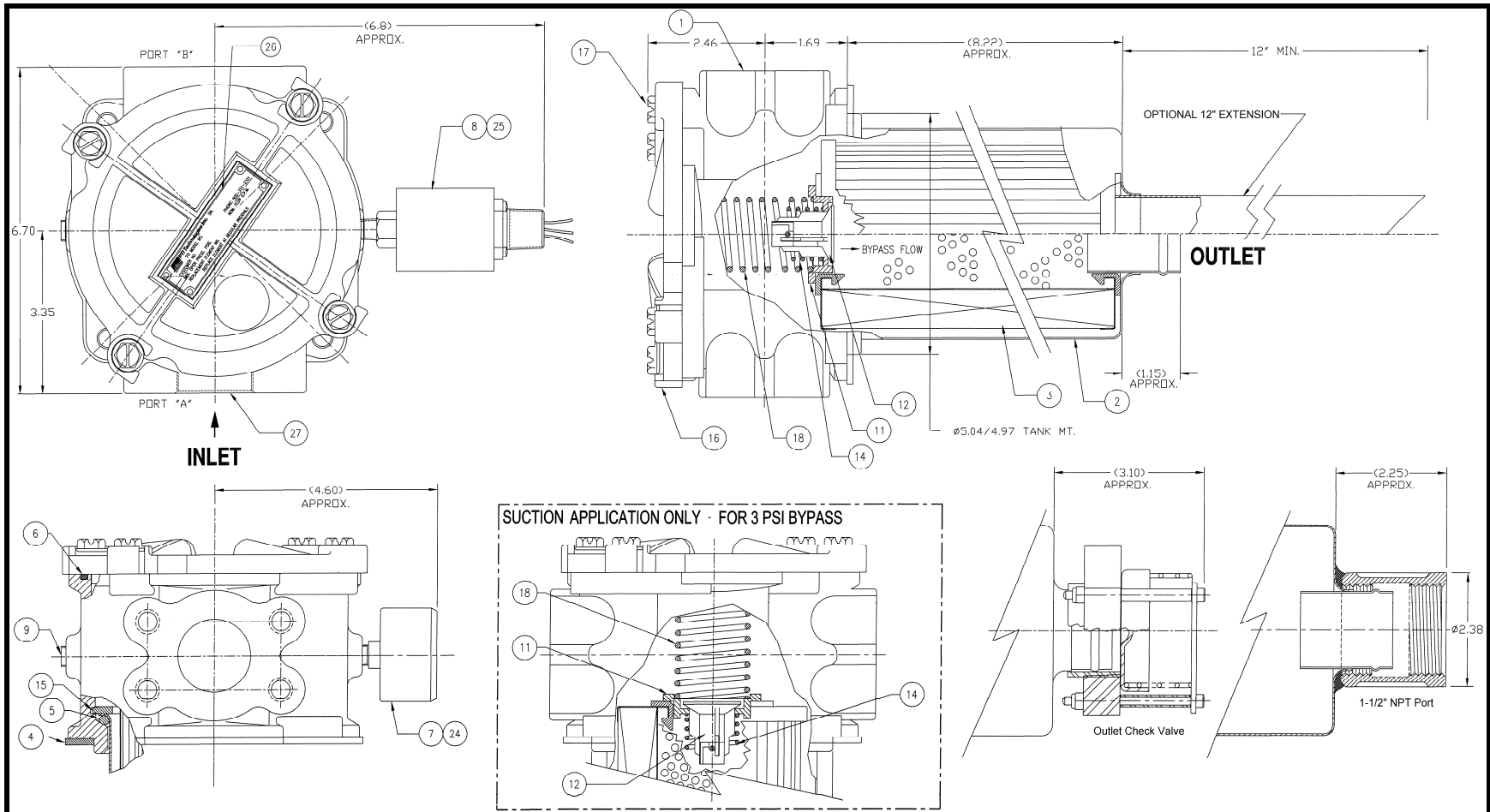
The Head Part Numbers are given in the table below. The Code is the letter that designates this port configuration. There are two positions for the code letters. These letters are the eleventh digit and the thirteenth digit of the part number (i.e. F5D070xx-x*x◆xx). The number 2 in the thirteenth digit designates a head with a single port. The number 7 in the thirteenth digit designates a head with dual ports. Only heads having the NPT ports are available with dual heads.

11 th Code (✱)	13 th Code ◆	Part Number	Description
F	2	CF-110-2262-12	1-1/4" NPT port
F	7	CF-110-2262-08	1-1/4" NPT port plus an additional 1-1/4" NPT port on the other side of the head.
G	2	CF-110-2262-05	1-1/2" NPT port
G	7	CF-110-2262-06	1-1/2" NPT port plus an additional 1-1/2" NPT port on the other side of the head.
N	2	CF-110-2262-02	-20 straight thread port requiring an O Ring seal.
P	2	CF-110-2262-03	-24 straight thread port requiring an O Ring seal.
4	2	CF-110-2262-12	1-1/2" SAE J518 four bolt flange (Code 61).

F5D070 In-Tank Filter Assemblies

Cellulose Replacement Elements		Micro-glass Replacement Elements		Wire mesh Replacement Elements	
3 μ	HF4-050-BC-B	Beta ₃ \geq 200	HF4-050-GF-B	74 μ	HF4-050-SF-B
10 μ	HF4-050-CC-B	Beta ₆ \geq 200	HF4-050-HF-B	149 μ	HF4-050-TF-B
23 μ	HF4-050-DC-B	Beta ₁₂ \geq 200	HF4-050-KF-B		
		Beta ₂₃ \geq 200	HF4-050-JF-B		

For elements with Viton seals, change the last letter from "B" to "V".



F5D-100 Parts Matrix

The F5D-100 parts matrix is to be used with the F5D-100 Pictorial document.

Item No.	Part Name	Buna Part Number	Viton Part Number	QTY	Comments and Notes
1	Head	See Note 1	See Note 1	1	1
2	Bowl	See Note 2	See Note 2	1	2
3	Element	See Note 3	See Note 3	1	3
4	Gasket (Head to Tank)	CF-300-0015	CF-300-0016	1	
5	O Ring (Bowl to Head)	348-B	348-V	1	
6	O Ring (Head to Cover)	252-B	252-V	1	
7	Gauge, Pressure	CF-400-0015	Same as Buna Part No	1	
8	Switch, Pressure	CF-410-0002	Same as Buna Part No	1	
9	Plug (1/8" NPT)	9327428	Same as Buna Part No	A/R	
10	Deleted				
11	Housing, Bypass	CF-520-0003	Same as Buna Part No	1	
12	Poppet, Bypass	CF-500-0002	Same as Buna Part No	1	
13	Shipping Plugs			2	Not Shown
14	Spring, Bypass	CF-625-0050	Same as Buna Part No	1	
15	Ring, Retaining	CF-710-0001	Same as Buna Part No	1	
16	Cover	CF-110-2011	Same as Buna Part No	1	
17	Bolt	CF-762-0003	Same as Buna Part No	4	
18	Spring, Retaining	CF-630-0003	Same as Buna Part No	1	
19 - 20	Deleted items 19 & 20				
21	Connector, Element	9327615	Same as Buna Part No	1	4
22-24	Deleted items 22, 23 & 24				
25	Gauge, Vacuum	CF-400-0050	Same as Buna Part No	1	
26	Switch, Vacuum	CF-410-0010	Same as Buna Part No	1	
27	Nameplate	9327158	Same as Buna Part No	1	

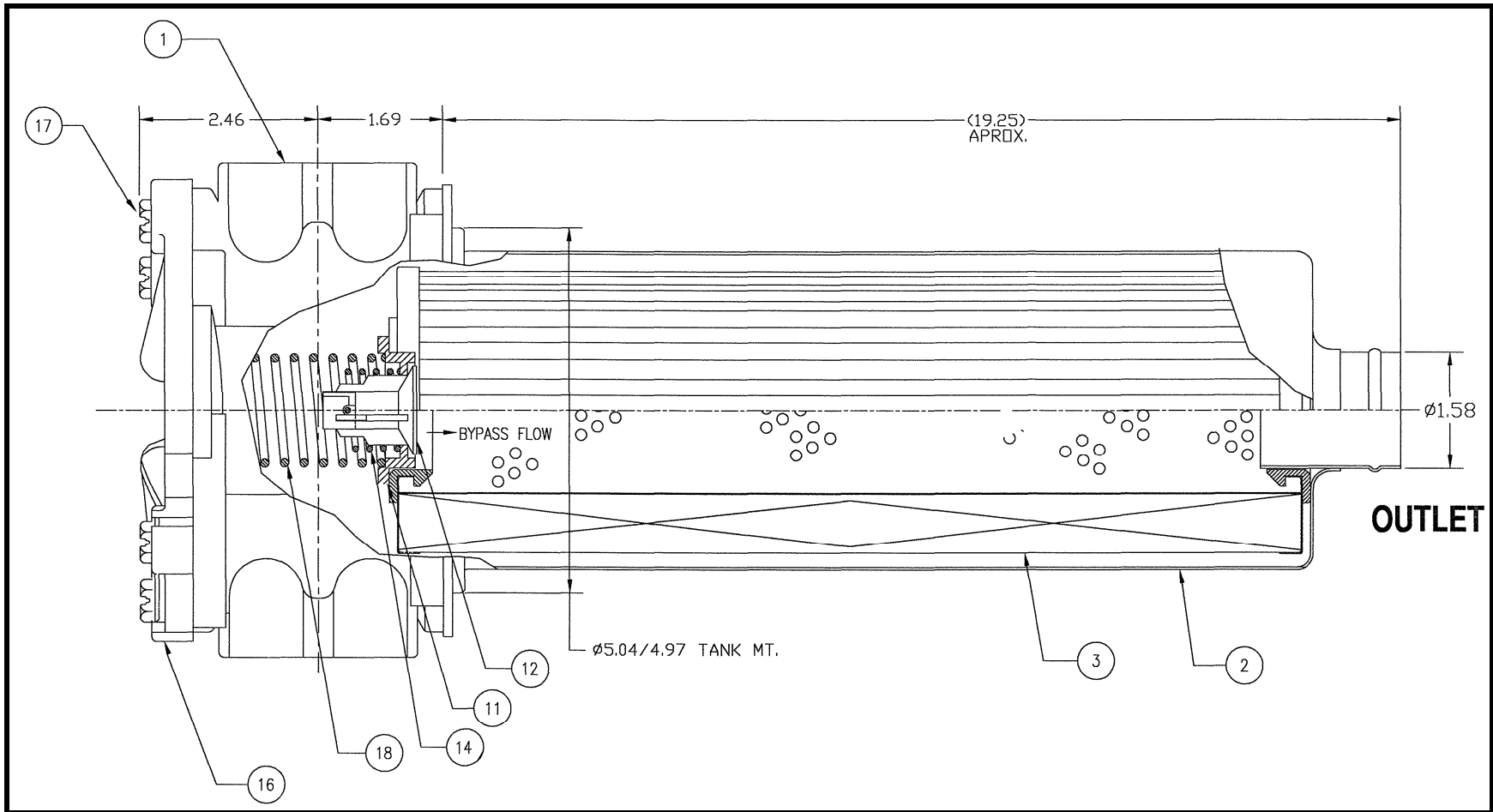
- Notes
1. The head part numbers varies per the port size. See the head part number table below.
 2. The standard bowl is P/N CF-220-2007, designated by the last letter of the part being a N.
The bowl with a anti drain valve is P/N CF-220-0015, designated by the last digit of the part being a 4.
 3. For elements, consult the F5D Series Brochure
 4. Only required when using HF4-050 elements.

The Head Part Numbers are given in the table below. The Code is the letter that designates this port configuration. There are two positions for the code letters. These letters are the eleventh digit and the thirteenth digit of the part number (i.e. F5D070xx-x*x♦xx). The number 2 in the thirteenth digit designates a head with a single port. The number 7 in the thirteenth digit designates a head with dual ports. Only heads having the NPT ports are available with dual heads.

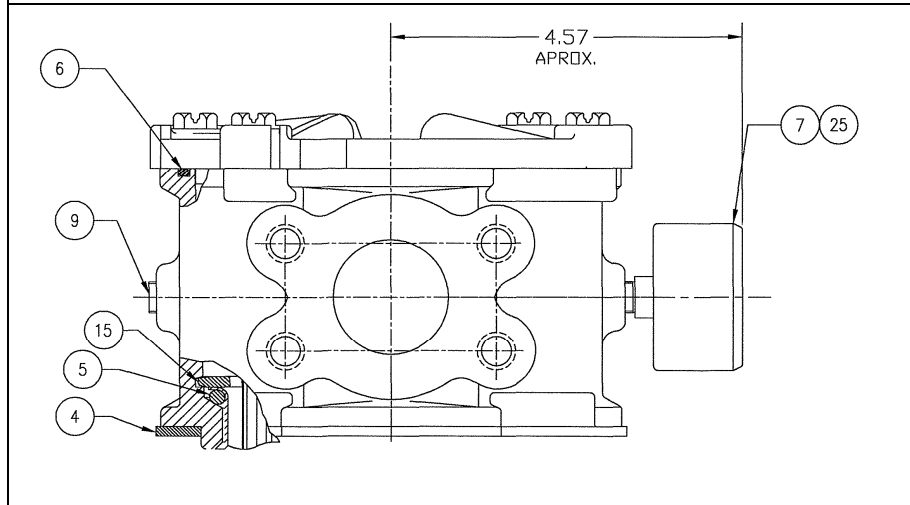
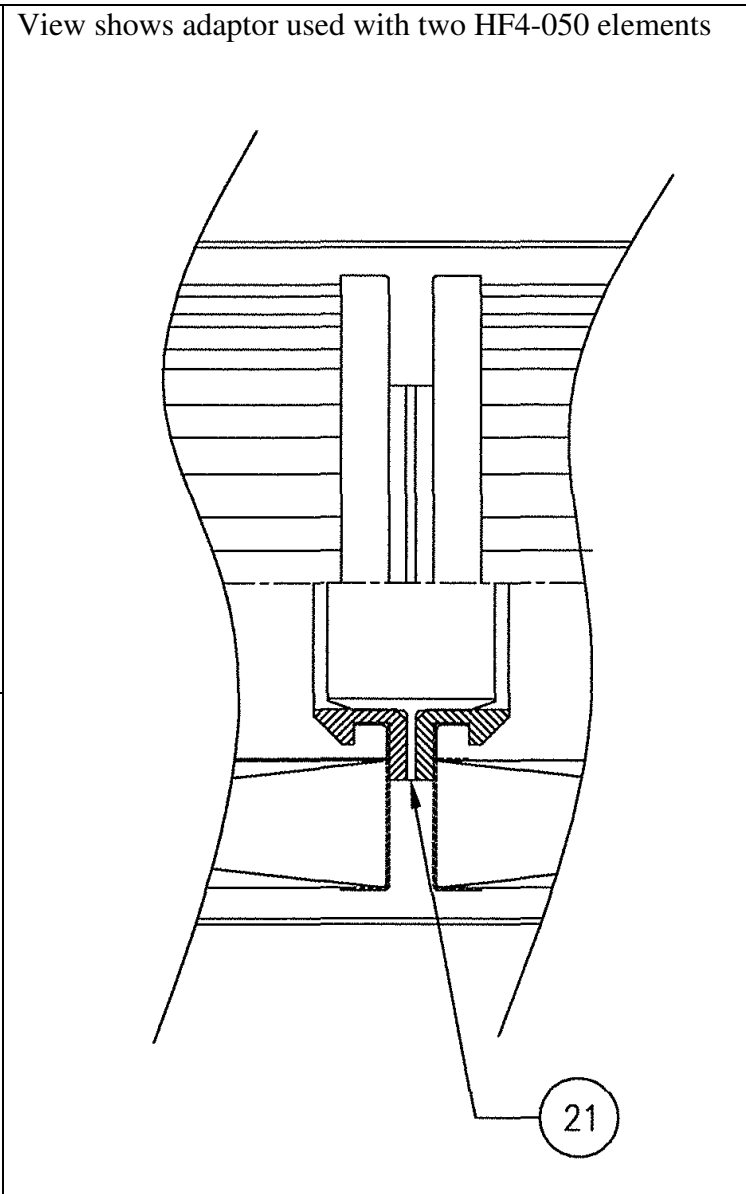
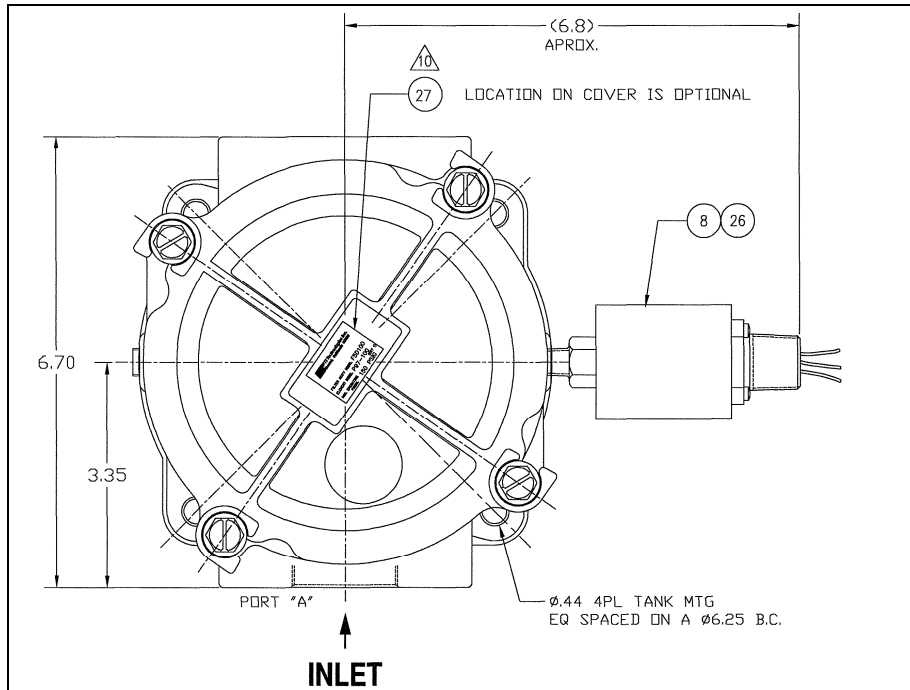
11 th Code (*)	13 th Code ♦	Part Number	Description
F	2	CF-110-2262-12	1-1/4" NPT port
F	7	CF-110-2262-08	1-1/4" NPT port plus an additional 1-1/4" NPT port on the other side of the head.
G	2	CF-110-2262-05	1-1/2" NPT port
G	7	CF-110-2262-06	1-1/2" NPT port plus an additional 1-1/2" NPT port on the other side of the head.
N	2	CF-110-2262-02	-20 straight thread port requiring an O Ring seal.
P	2	CF-110-2262-03	-24 straight thread port requiring an O Ring seal.
4	2	CF-110-2262-12	1-1/2" SAE J518 four bolt flange (Code 61).

F5D100 In-Tank Filter Assemblies using P97-100 elements

The earlier versions used two HF4-050 elements with an adaptor. See page 2 for a view of the adaptor.



F5D100 In-Tank Filter Assembly – Pg 2 [View of head and of the adaptor for units using HF4-050 elements]



F5D-150 Parts Matrix

The F5D-150 parts matrix is to be used with the F5D-150 Pictorial document.

Item No.	Part Name	Buna Part Number	Viton Part Number	QTY	Comments and Notes
1	Head	See Note 1	Same as Buna Part No	1	1
2	Element	Consult F5D brochure		1	
3	O Ring (Bowl to Head)	360-B	360-V	1	
4	O Ring (Head to Cover)	261-B	261-V	1	
5	Gasket (Element to Bowl)	CF-310-0006	CF-320-0006	1	
6	O Ring (Head to Tank)	442-B	442-V	1	
7	Plug (1 1/2" NPT)	CF-720-0005	Same as Buna Part No	1	
8	Gauge, Pressure	CF-400-0015	Same as Buna Part No	1	
9	Switch, Pressure	CF-410-0002	Same as Buna Part No	1	
10	Reducer, Pipe (1/4" to 1/8")	CF-730-0099	Same as Buna Part No	1	
11	Plug (1/4" NPT)	9327429	Same as Buna Part No	A/R	
12	Housing, Bypass	CF-040-0111	Same as Buna Part No	1	
13	Valve Disc	CF-040-0112	Same as Buna Part No	1	
14	Retainer, Spring	CF-040-0113	Same as Buna Part No	1	
15	Washer, Flat	CF-770-0017	Same as Buna Part No	1	
16	Nut, Hex (10-32)	CF-700-0017	Same as Buna Part No	1	
17	Spring	CF-630-0050	Same as Buna Part No	1	
18	O Ring (Bypass housing to Elem.)	233-B	233-V	1	
19	Bolt (10-32 by 3.25" long)	CF-780-0055	Same as Buna Part No	1	
20	Bowl	CF-220-2009	Same as Buna Part No	1	
21	Cover	CF-110-2014-01	Same as Buna Part No	1	
22	Bolt (5/16 x 18 UNC x 1.25" long)	CF-760-0029	Same as Buna Part No	4	
23	Washer, Flat (5/16)	CF-770-0002	Same as Buna Part No	4	
24	Washer, Lock (5/16)	CF-771-0002	Same as Buna Part No	4	
25	Nameplate	9327158	Same as Buna Part No	1	
26	Retainer, Spring	CF-630-0006	Same as Buna Part No	1	

Notes 1. The head part numbers varies per the port size. The F5D150xx-xHxxxx designates a head with a 2" NPT port - P/N CF-110-2015.
The F5D150xx-xSxxxx designates a head with a 2 1/2" SAE Flange (Code 61). Head P/N CF-110-2015-01.

F5D150 In-Tank Filter Assemblies

Cellulose Replacement Elements		Micro-glass Replacement Elements		Wire mesh Replacement Elements	
3 μ	CU-1100-BC	Beta ₃ \geq 200	CU-1100-GC	74 μ	CU-1100-SC
10 μ	CU-1100-CC	Beta ₆ \geq 200	CU-1100-HC	149 μ	CU-1100-TC
23 μ	CU-1100-DC	Beta ₁₂ \geq 200	CU-1100-KC	238 μ	CU-1100-RC
		Beta ₂₃ \geq 200	CU-1100-JC		

