



*A more robust
and reliable
filter assembly*

F4S 050 Series Spin-On Suction Filter Assembly

Low Pressure Filters for Suction Applications

Features

- Element collapse rating 75 psid (5 bar)
- 50 gpm (189 lpm) nominal flow rate
- 3 psid bypass valve built into element
- Replaces CanFlo P/N CF 10-E

Technical Information

Proper fluid maintenance requires periodic replacement of filter elements to insure maximum contamination control. The F4S series filter assembly utilizes a spin-on element that allows rapid replacement of the element. The Micro-fiberglass media is well proven in thousands of applications. Excellent particle retention is assured with very low pressure drop.

Technical Data

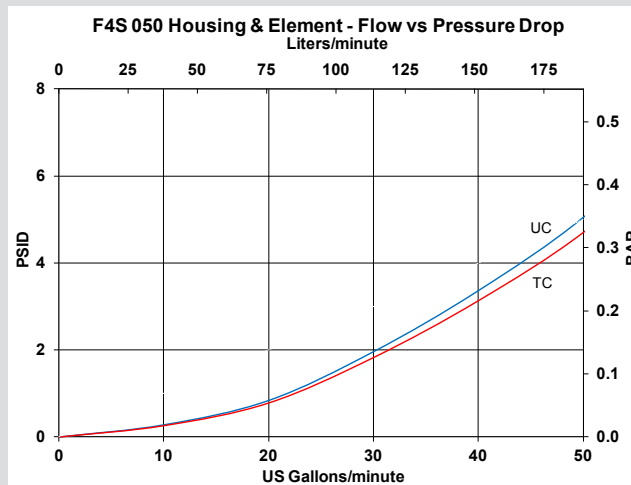
Collapse Rating	75 psid (5 bar)
Operating Pressure	200 psi (14 bar)
Operating Temperature	-40°F to +250°F (-40°C to +121°C)
Materials of Construction	
Center Tube:	Tin Plated Steel
End Caps:	Tin Plated Steel
Seal Material Options	
Seal Materials:	Buna Viton®
Bypass Valve	3 psid Bypass Valve Built Into Spin-on Element

Elements

PTI filter elements are manufactured with the highest quality materials. PTI filter elements feature multi-layer construction for increased dirt-holding capacity and low pressure drop. PTI elements provide cost-effective contamination control for the most demanding applications. All elements are tested to the latest industry standards including ISO 16889 procedure for multipass efficiency testing.

Filtration Rating		
Code	Micron Rating	Media
T	149µm	CRES Wire Mesh
U	40µm	Glass

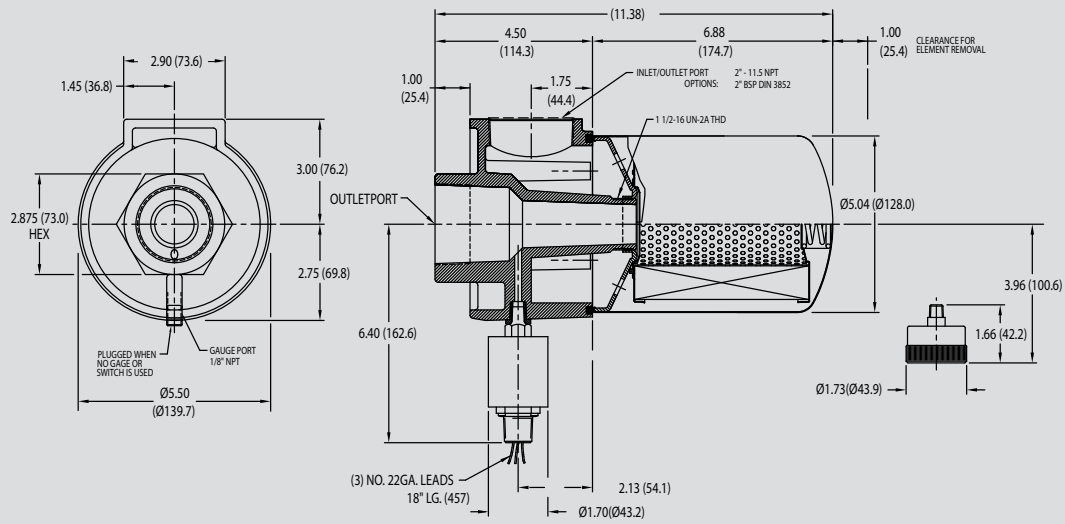
Flow Rate/Pressure Drop Curves



Pressure drop curves are for clean elements using 150 SUS (32 cSt) petroleum base hydraulic fluid of 0.9 S.G.
 Filter Assembly ΔP = Housing ΔP + Element ΔP

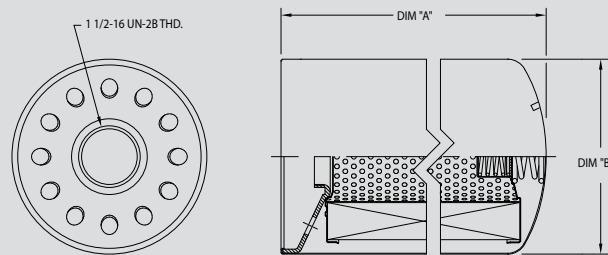
Assembly Dimensions*

* Dimensions in inches (mm)



Element Dimensions*

* Dimensions in inches (mm)



Nominal Flow	DIM A Inches (mm)	DIM B Inches (mm)
-050	6.95 (176.0)	5.04 (128.0)

Ordering Information

Assembly:

F4S	XXX	X	X	-	X	X	X	X	X
TBL 1	TBL 2	TBL 3	TBL 4	TBL 5	TBL 6	TBL 7	TBL 8	TBL 9	

Table 1 Size

Code	Nominal Flow
050	50 gpm (189 lpm)

Table 2 Filtration Rating

Code	Micron Rating	Media
U	40 µm	Synthetic
T	149 µm	CRES
N	None	

Table 3 Collapse

Code	Collapse Rating
C	75 psid (5 bar)
N	No Filter Element

Table 4 Seals

Code	Material
B	Buna
V	Viton®

Viton® is a registered trademark of DuPont Performance Elastomers

Table 5 Port

Code	Option
H	2" NPT (female)

Table 6 Gauge Options

Code	Option
0	None
2	Vacuum Gage
3	Vacuum Switch

Table 7 Gage Port Size

Code	Option
6	One 1/4" NPT

Table 8 Bypass Options

Code	Option
R	*3 psid (0.2 bar)

* only available with bypass

Table 9 Options

Code	Option
N	None

Note: Not recommended for 5 gpm or less variable piston pump applications

Element:

F4S-	050	-	X	X	-	X
TBL 1	TBL 2	TBL 3				

Table 1 Filtration Rating

Code	Micron Rating	Media
U	40 µm	Synthetic
T	149 µm	CRES Mesh

Note: Bypass valve is built into the Spin-on Element

Table 2 Collapse

Code	Collapse Rating
C	75 psid (5 bar)

Table 3 Seals

Code	Material
B	Buna
V	Viton®

Viton® is a registered trademark of DuPont Performance Elastomers

