

F4F 030-040 Series

Spin-On Filter Assembly



Parts Matrix

F4F Parts Matrix

The F4F Spin-on assembly comes in two sizes, the F4F030 and the F4F040. The head assemblies for these sizes are identical. The difference is in the spin-on element. Consult the F4F brochure for the different options.

Item No.	Part Name	Buna Part Number	Viton Part Number	QTY	Comments and Notes
1	Head	See Head Part Number Table Below		1	
2	Seal	CF-310-0003	CF-320-9999	Ref.	Comes with item #3
3	Spin-on element	See the F4F brochure		1	
4	Visual Indicator	9327706	9327706-01	1	
5	Disc, no bypass	CF-040-0101	Same as Buna Part No.	1	
6	Spring	CF-625-0001	Same as Buna Part No.	1	
7	Valve, bypass (poppet)	CF-040-0142	Same as Buna Part No.	1	
8	Shaft	CF-540-0002	Same as Buna Part No.		
9	Washer	CF-770-0016	Same as Buna Part No.	1	
10	Retainer, valve	CF-030-0022	Same as Buna Part No.	1	
11	Hitch pin	CF-780-0001	Same as Buna Part No.	1	

The Head Part Numbers are given in the table below. The Code is the letter that designates this port configuration. There are three positions for the code letters. These letters are the eleventh digit, the thirteenth digit and the fifteenth digit of the part number (i.e. F4F0x0xx-x***x**◆**x**●). The eleventh digit designates the inlet and outlet port. The thirteenth digit designates the indicator option. The fifteenth digit designates the side that the indicator is on.

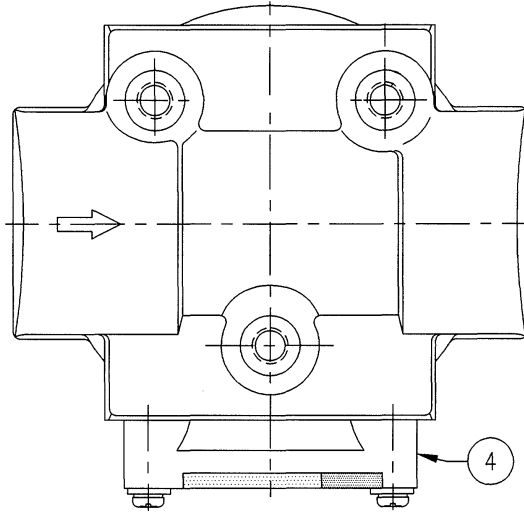
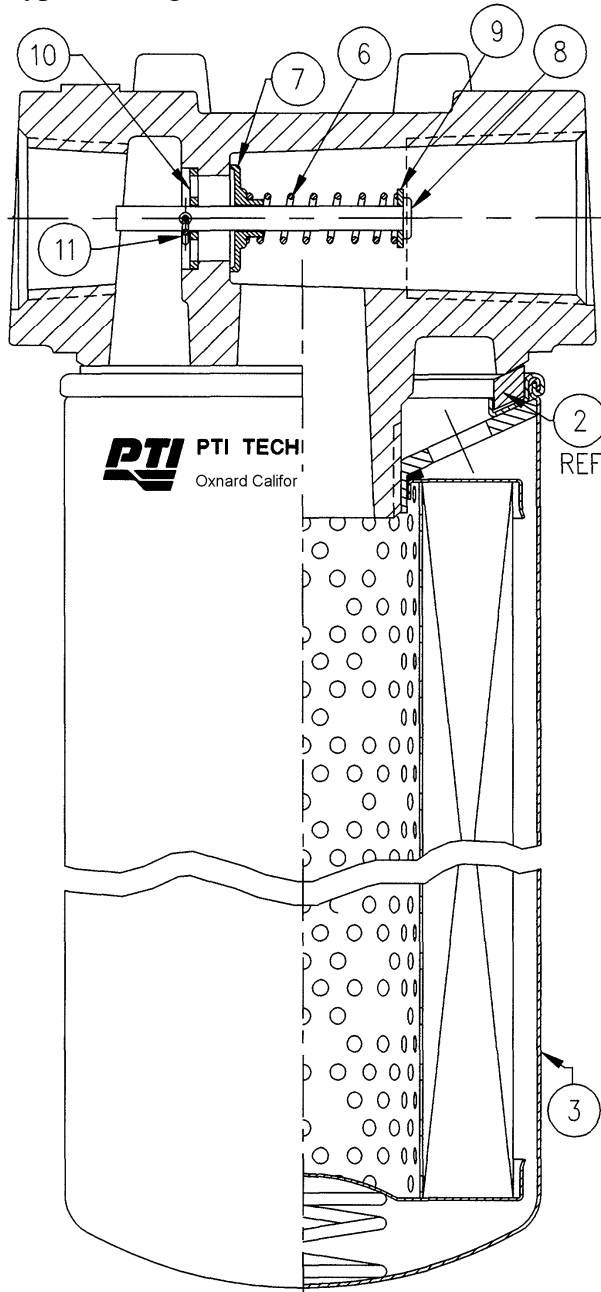
11 th Code (*)	13 th Code ◆	15 th Code ●	Part Number	Description
E	N	N	CF-110-0186	1" NPT ports with no visual indicator
E	L	L	CF-110-0186L	1" NPT ports with visual indicator on the left side
E	L	R	CF-110-0186R	1" NPT ports with visual indicator on the right side
M	N	N	CF-110-0187	-16 straight thread ports with no visual indicator
M	L	L	CF-110-0187L	-16 straight thread ports with visual indicator on the left side
M	L	R	CF-110-0187R	-16 straight thread ports with visual indicator on the right side

If you have questions, please contact Technical Service @ PTI Technologies. Fax 805/604-3917 Phone 800/331-2701 Ext 3976 or 805/604-3976. Email fluidpower@ptitechnologies.com Web Site <http://www.ptitechnologies.com>

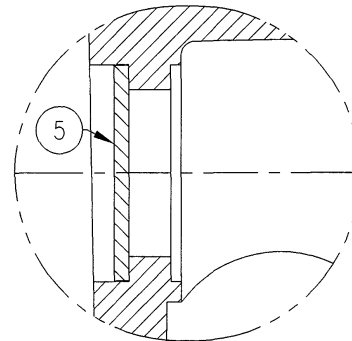
F4F Spin-on Filter Assembly – Pictorial

(To be used with the F4F Parts Matrix.doc)

Bypass configuration



The Visual Bar indicator is available on either the right or left side. It is shown here on the right side.



Non-bypass configuration