

F4E 050-070 Series

Spin-On Filter Assembly



Parts Matrix

F4E050-070 Parts Matrix

This F4E Spin-on assembly comes in two sizes, the F4E050 and the F4E070. The head assemblies for these sizes are identical. The difference is in the spin-on element. Consult the F4E brochure for the different options.

Item No.	Part Name	Buna Part Number	Viton Part Number	QTY	Comments and Notes
1	Head	See Head Part Number Table Below		1	
2	Spin-on element	See the F4E brochure		1	
3	Seal	CF-310-0001	CF-320-0001	Ref.	Comes with item #2
4	Poppet, bypass	CF-500-0002	Same as Buna Part No.	1	
5 _F	Spring (25 PSID Return Line)	CF-625-0050	Same as Buna Part No.	1	Fourteenth digit 'F'
5 _R	Spring (3 PSID Suction application)	CF-603-0235	Same as Buna Part No.	1	Fourteenth digit 'R'
6	Gauge, Vacuum	CF-400-0050	Same as Buna Part No.	1	
7	Gauge, Pressure (Color code)	CF-400-0015	Same as Buna Part No.	1	
8	Switch, Vacuum	CF-410-0010	Same as Buna Part No.	1	
9	Switch, Pressure	CF-410-0002	Same as Buna Part No.	1	
10	Plug 1/8" NPT	9327428	Same as Buna Part No.	A/R	
11	Shipping plugs		.		Not shown
12	Plug, machined	CF-720-0012	Same as Buna Part No.	1	For non-bypass only
13	Visual Bar Indicator	9327706	9327706-01	1	

The Head Part Numbers are given in the following two tables. This **first table** is for the heads that have the Visual Bar indicators. This indicator and the port sizes are designated by code letters. There are two positions for these code letters. These letters are the eleventh digit and the thirteenth digit. (i.e. F4E0x0xx-x*x◆xR). The eleventh digit designates the inlet and outlet port. The thirteenth digit designates the visual bar indicator option. The Visual Bar indicator is always on the right side. It is not available on the left side due to the head configuration.

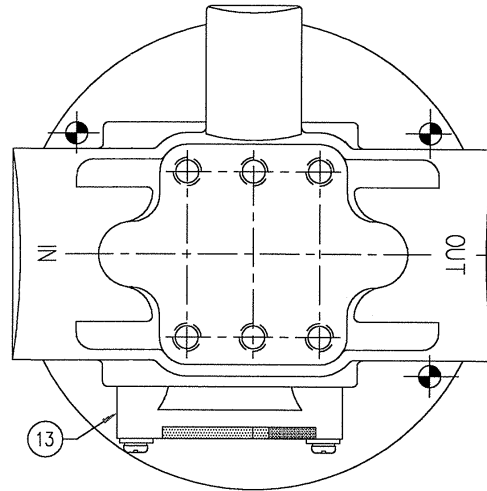
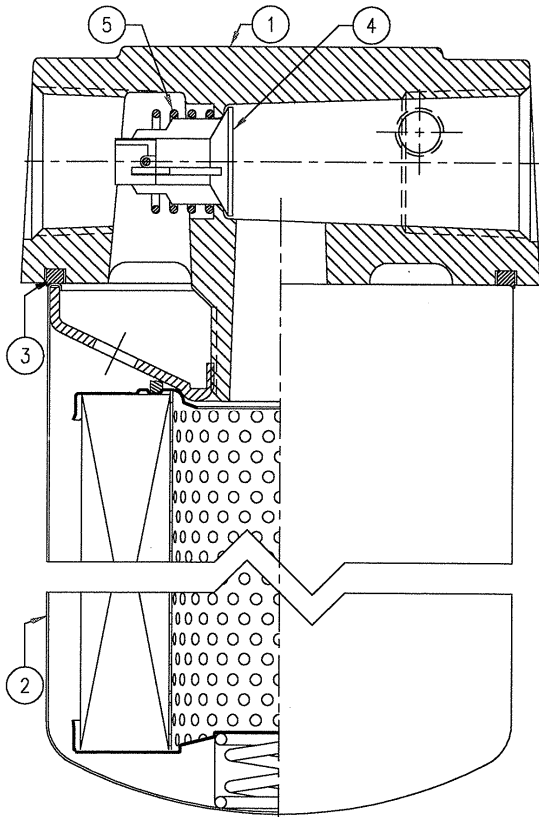
11 th Code (*)	13 th Code ◆	Part Number	Description
F	L	CF-110-0046-1	1-1/4" NPT ports with visual bar indicator on the right side.
N	L	CF-110-0047-1	-20 straight thread ports with visual bar indicator on the right side
G	L	CF-110-0048-1	1-1/2" NPT ports with visual bar indicator on the right side.
P	L	CF-110-0049-1	-24 straight thread ports with visual bar indicator on the right side

This **second table** is for the heads that do not have the Visual Bar indicators. These heads are available with or without gauge ports (four each 1/8" NPT). The gauge ports and the port sizes are designated by code letters. There are two positions for the code letters. These letters are the eleventh digit and the thirteenth digit of the part number (i.e. F4E0x0xx-x*x◆xx). The eleventh digit designates the inlet and outlet port. The thirteenth digit designates either gauge ports or no gauge ports.

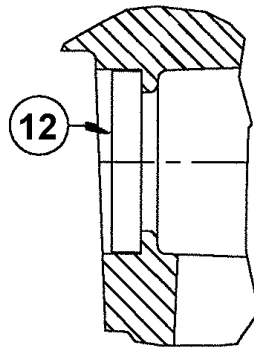
11 th Code (*)	13 th Code ◆	Part Number	Description
F	N	CF-110-0046	1-1/4" NPT ports without gauge ports.
F	3	CF-110-0062	1-1/4" NPT ports with gauge ports.
N	N	CF-110-0047	-20 straight thread ports without gauge ports.
N	3	CF-110-0063	-20 straight thread ports with gauge ports.
G	N	CF-110-0048	1-1/2" NPT ports without gauge ports.
G	3	CF-110-0064	1-1/2" NPT ports with gauge ports.
P	N	CF-110-0049	-24 straight thread ports without gauge ports.
P	3	CF-110-0065	-24 straight thread ports with gauge ports.

F4E050-070 Pictorial (To be used with F4E050-070 Parts Matrix)

Assembly with Visual Bar indicator. Only available on the right side of the head.



For non-bypass only.



Assembly with gauge and/or electrical switch. This view is not completely accurate. The pressure gauge and the pressure switch must be on the inlet side of the head. The vacuum gauge and the vacuum switch must be on the outlet side of the head.

