

F4E 030-040 Series

Spin-On Filter Assembly



Parts Matrix

F4E030-040 Parts Matrix

This F4E Spin-on assembly comes in two sizes, the F4E030 and the F4E040. The head assemblies for these sizes are identical. The difference is in the spin-on element. Consult the F4E brochure for the different options.

Item No.	Part Name	Buna Part Number	Viton Part Number	QTY	Comments and Notes
1	Head	See Head Part Number Table Below		1	
2	Spin-on element	See the F4E brochure		1	
3	Gauge, Color code	CF-400-0015	Same as Buna Part No.	1	
4	Gauge, Vacuum	CF-400-0050	Same as Buna Part No.	1	
5	Plug 1/8" NPT	9327428	Same as Buna Part No	A/R	
6	Seal	CF-310-0002	CF-320-0002	Ref.	Comes with item #2
7	Switch, Vacuum	CF-410-0010	Same as Buna Part No	1	
8	Switch, Pressure	CF-410-0002	Same as Buna Part No	1	
9	Visual Bar Indicator	9327706	9327706-01	1	
10	Poppet, bypass	CF-500-0001	Same as Buna Part No.	1	
11	Spring	CF-625-0002	Same as Buna Part No.	1	
12 - 13	Shipping plugs		.		Not shown
14	Plug, machined	CF-040-0166	Same as Buna Part No.	1	For non-bypass only

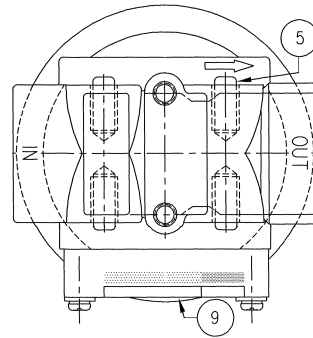
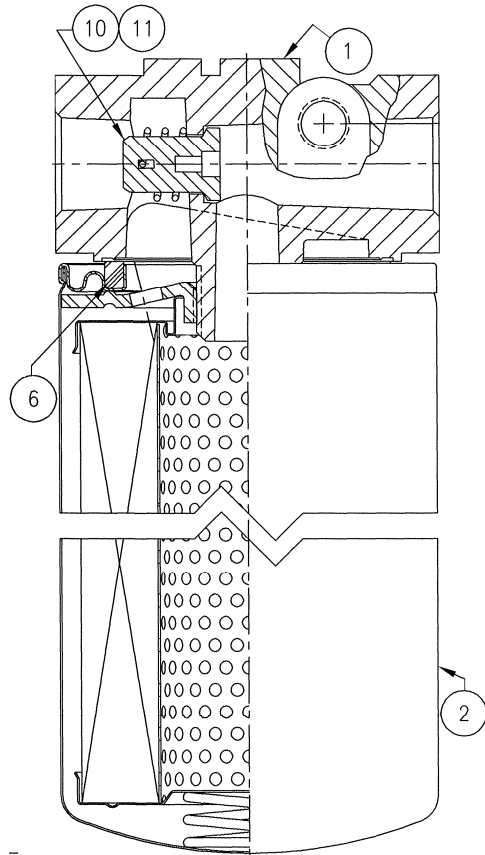
The Head Part Numbers are given in the following two tables. This **first table** is for the heads that have the Visual Bar indicators. This indicator and the port sizes are designated by code letters. There are three positions for these code letters. These letters are the eleventh digit, the thirteenth digit and the fifteenth digit of the part number (i.e. F4E0x0xx-x*x◆x●). The eleventh digit designates the inlet and outlet port. The thirteenth digit designates the visual bar indicator option. The fifteenth digit designates the side that the indicator is on.

11 th Code (*)	13 th Code ◆	15 th Code ●	Part Number	Description
D	L	L	CF-110-0006-2	3/4" NPT ports with visual bar indicator on the left side.
D	L	R	CF-110-0006-1	3/4" NPT ports with visual bar indicator on the right side.
L	L	L	CF-110-0007-2	-12 straight thread ports with visual bar indicator on the left side
L	L	R	CF-110-0007-1	-12 straight thread ports with visual bar indicator on the right side.
E	L	L	CF-110-0008-2	1" NPT ports with visual bar indicator on the left side.
E	L	R	CF-110-0008-1	1" NPT ports with visual bar indicator on the right side.
M	L	L	CF-110-0009-2	-16 straight thread ports with visual bar indicator on the left side
M	L	R	CF-110-0009-1	-16 straight thread ports with visual bar indicator on the right side.

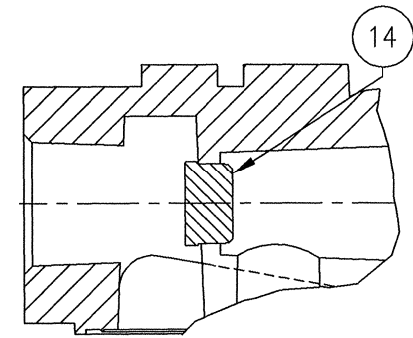
This **second table** is for the heads that do not have the Visual Bar indicators. These heads are available with or without gauge ports (four each 1/8" NPT). The gauge ports and the port sizes are designated by code letters. There are two positions for the code letters. These letters are the eleventh digit and the thirteenth digit of the part number (i.e. F4E0x0xx-x*x◆xx). The eleventh digit designates the inlet and outlet port. The thirteenth digit designates either gauge ports or no gauge ports.

11 th Code (*)	13 th Code ◆	Part Number	Description
D	N	CF-110-0006	3/4" NPT ports without gauge ports.
D	3	CF-110-0018	3/4" NPT ports with gauge ports.
L	N	CF-110-0007	-12 straight thread ports without gauge ports.
L	3	CF-110-0019	-12 straight thread ports with gauge ports.
E	N	CF-110-0008	1" NPT ports without gauge ports.
E	3	CF-110-0020	1" NPT ports with gauge ports.
M	N	CF-110-0009	-16 straight thread ports without gauge ports.
M	3	CF-110-0021	-16 straight thread ports with gauge ports.

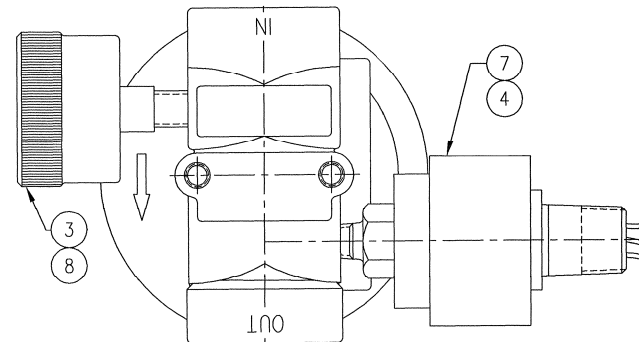
F4E030-040 Pictorial (To be used with the F4E030-040 Parts Matrix)



The Visual Bar indicator is available on either the right or left side. It is shown here on the right side



Non-Bypass configuration



Head with gauge and/or electrical switch. The pressure gauge and the pressure switch are mounted on the inlet side of the head. The vacuum gauge and the vacuum switch are mounted on the outlet side of the head.