

F2P 050-120 Series

High Pressure Filter Assembly



Parts Matrix

F2P050, 080 & 120 Parts Matrix (Note 1)

Please read the following information prior to using this parts 'Matrix':

1. The F2P050, 080 and 120 assemblies are offered with many port sizes. See the Head Table on page 2
2. There are three different sizes of F2P assemblies, the 050, 080 & the 120. Only the Case (#2) and the Element (#3) are different. A subscript has been added to the item number to differentiate between the sizes. See Item No. 2 in the table below.
3. The F2P assemblies are offered with Buna, Viton or EPR O Rings. Use the Buna, Viton or EPR Part Number Column.
4. The F2P assemblies are offered with two different electrical sections – Standard and with a Thermal Lockout. See Note 3 below.

Item No.	Part Name	Buna Part Number	Viton Part Number	EPR Part Number	QTY	Comments and Notes
1	Head		.	.	1	See table on page 2
2-050	Case for 050	CF-220-2021	Same as Buna Part No	Same as Buna Part No	1	
2-080	Case for 080	CF-220-2022	Same as Buna Part No	Same as Buna Part No	1	
2-120	Case for 120	CF-220-2023	Same as Buna Part No	Same as Buna Part No	1	
3	Element	See Note 2	See Note 2	See Note 2	1	2
4	Nameplate	9327158	Same as Buna Part No	Same as Buna Part No	1	
5	Plug, Blind	851 0154 000	9314775	9324579	1	
6	Indicator, Visual	940 2100 206	9314771	9324577	1	
7	Electrical Section	See Note 3	See Note 3	See Note 3	1	3
8	Rev. Flow Vlv	9326518	Same as Buna Part No	Same as Buna Part No	1	4
9	Fitting, non-bypass	851 8590 716	9314777	9324581	1	5
10	Plug, Shipping	N/A	N/A	N/A	1	
11	O Ring	240-B	240-V	240-E	1	
12	Back-Up Ring	62506-31	Same as Buna Part No	Same as Buna Part No	1	
13	Fitting, Bypass	851 7610 016	9327664	9327665	1	5
14	O Ring	131-B	131-V	131-E		
15	Valve, Rev. Flow	9326762	Same as Buna Part No	Same as Buna Part No	1	4
16	Ring, Snap	9326772	Same as Buna Part No	Same as Buna Part No	1	4
17	Adapter	9326890	Same as Buna Part No	Same as Buna Part No	1	Used only with Items 9 & 13
19	Plug, Drain	001.032.2	Same as Buna Part No	Same as Buna Part No	1	Not used on F2P050 units
20	Gasket, Plug (Cu)	001.052.0	Same as Buna Part No	Same as Buna Part No	1	Not used on F2P050 units
21	Safety Grip Tape	M-7571 (1.2 Feet)	Same as Buna Part No	Same as Buna Part No	1	

- Note 1. To be used with document "F2P050-120 Pictorial". Upon request, a specific parts list is available for any F2P filter assembly.
2. Consult the F2P brochure for element options
 3. The standard electrical section can be used in a normally open or in a normally closed configuration. It is field convertible between the two. See document "Electrical Section". A Thermal Lockout electrical section is also available. It is available in either "Normally Open (P/N PiS3002)" or "Normally Closed (P/N PiS3003)" options.
 4. These detail parts are only used for filter assemblies have the Reverse Flow / Bypass option.
 5. Both item 9 and item 13 come with the O Ring that the element seals on. Additional information is available. See document "F2P Bypass Valve Assy".

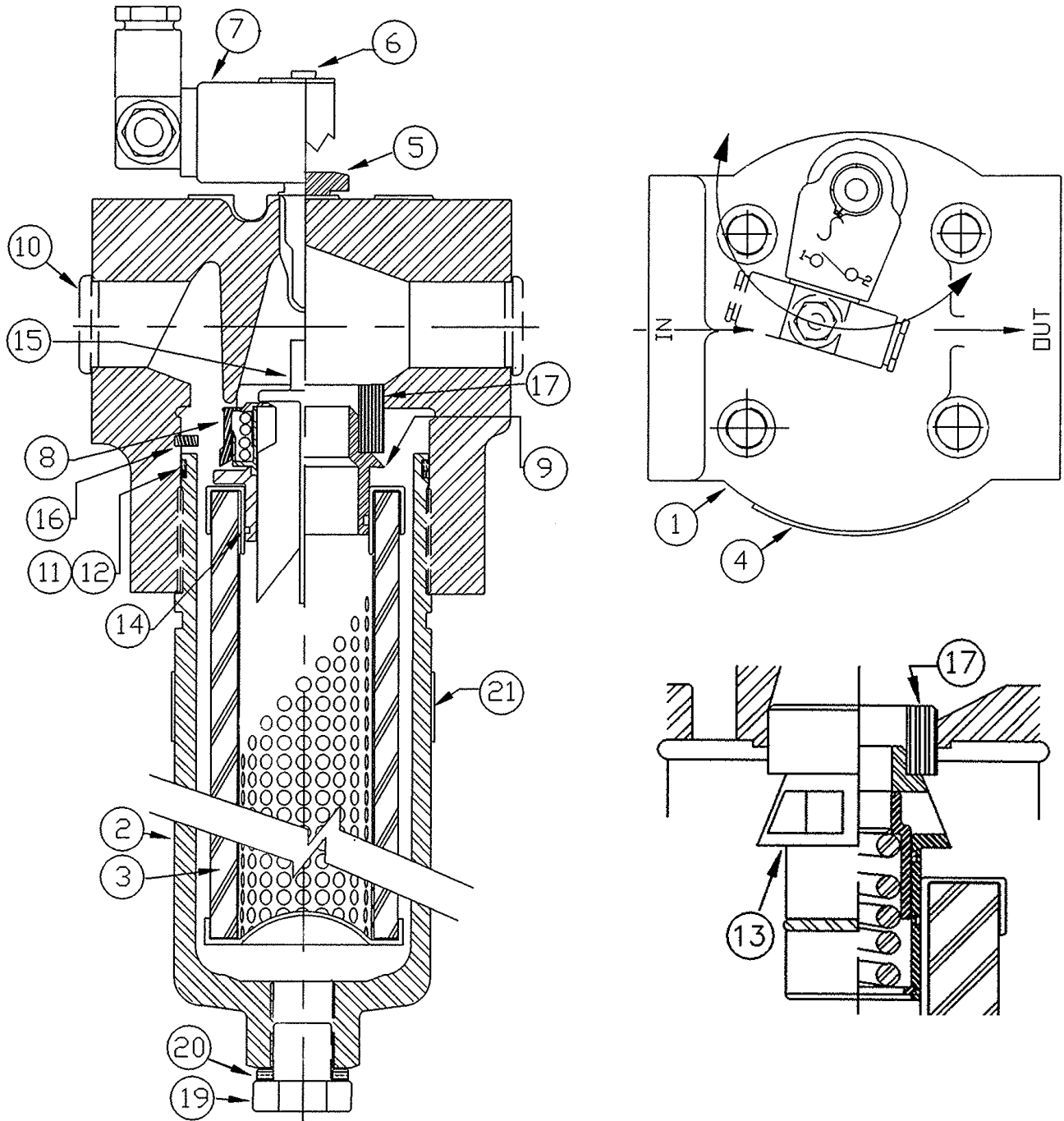
Table for the heads used on the F2P050, 080 & 120

Part No.	Port Size	Rated Pressure		Part No.	Port Size	Rated Pressure
9327522	-20 SAE (1 5/8-12 Thread)	6000 PSIG		9327520	1 1/4" SAE J518 Flange	6000 PSIG
9327523	-24 SAE (1 7/8-12 Thread)	6000 PSIG		9327521	1 1/2" SAE J518 Flange	6000 PSIG
9327518	1 1/4" SAE J518 Flange	3000 PSIG		9327516	2" SAE J518 Flange	6000 PSIG
9327519	1 1/2" SAE J518 Flange	3000 PSIG				

- Note 1. The same head is used with all the seal options.
2. These heads can be used on either the 050, or the 080 or the 120 size assemblies.

F2P050, 080 & 120 Filter Assembly - Pictorial

These filter assemblies are available in non-bypass (#9), bypass (#13) and reverse flow/bypass (#8, #15 & #16) options. See the F2P brochure for additional information.



F2P Bypass Valve Assembly

This F2P bypass Valve Assembly is available in two sizes. The **small size** is used on the F2P015, 025 and the 030. The **large size** is used on the F2P050, 080 and the 120. Both the small size and the large size are available with Buna, Viton or EPR seals. Table #1 gives the complete Bypass Valve Assembly part numbers for each seal configuration along with operating parameters. Table #2 provides replacement O Ring information.

Table #1 – Bypass Valve Assembly Part Numbers and Parameters			
	Small Size	Large Size	Notes
Bypass Valve with Buna Seals	851 7600 016	851 7610 016	
Bypass Valve with Viton Seals	9314778	9327664	1
Bypass Valve with EPR Seals	9324582	9327665	1
Bypass Cracking Pressure	100 PSID ± 10%	100 PSID ± 10%	
Material – Housing	Aluminum	Aluminum	
Used on Filter Assemblies	F2P015, 025 & 030	F2P050, 080 & 120	

Note 1. The Viton and EPR bypass valves are manufactured from the Buna bypass valve by replacing the O Rings.

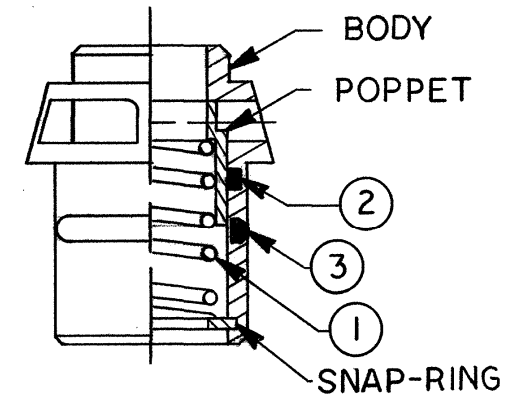


Table #2 – Component Part Numbers							
Item	Small Size			Large Size			Notes
	Buna	Viton	EPR	Buna	Viton	EPR	
#1	N/A	N/A	N/A	N/A	N/A	N/A	1
#2	020-B	M83248/1-020	7505524	131-B	M83248/1-131	7505547	2
#3	019-B	M83248/1-019	7505523	129-B	M83248/1-129	7505545	2

Instructions for changing out O Rings

1. Remove snap ring, spring & poppet.
2. Remove and discard O Rings.
3. Lubricate and install new O Rings.
4. Replace poppet, spring & snap ring.

- Note 1. The spring is not part of this conversion.
 Note 2. Lubricate Buna and Viton O Rings with a mineral base fluid.
 Lubricate EPR seals with a phosphate ester fluid.