

F2P 015-030 Series

High Pressure Filter Assembly



Technical Information

F2P015, 025 & 030 Parts Matrix (Note 1)

Please read the following information prior to using this parts 'Matrix':

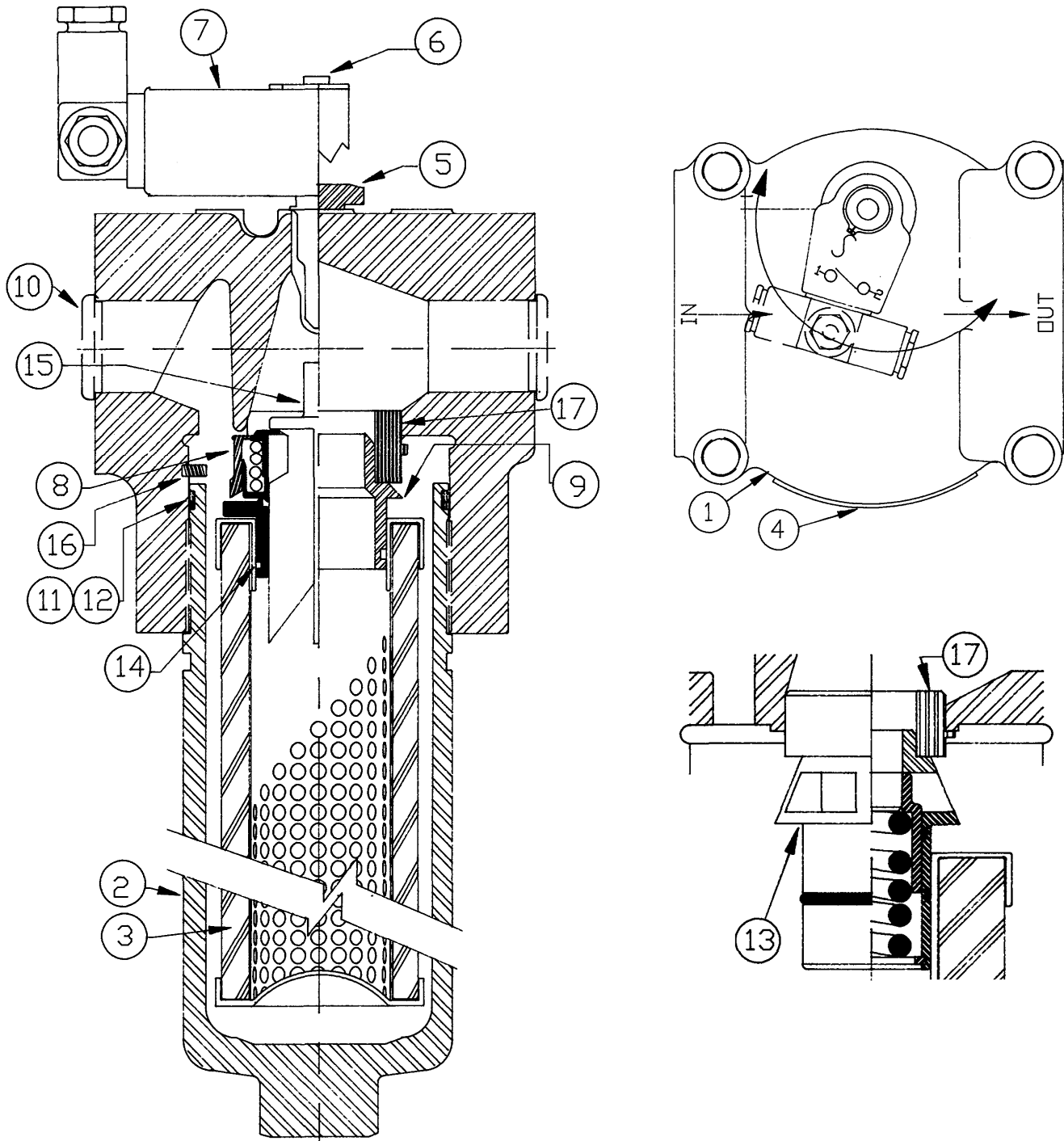
1. The F2P015, 025 and 030 assemblies are offered in either –12 SAE or in –16 SAE port sizes.
A subscript has been added to the item number to differentiate between the sizes. See Item No. 1 in the table below.
2. There are three different sizes of F2P assemblies, the 015, 025 & the 030. Only the Case (#2) and the Element (#3) are different.
A subscript has been added to the item number to differentiate between the sizes. See Item No. 2 in the table below.
3. The F2P assemblies are offered with Buna, Viton or EPR O Rings. Use the Buna, Viton or EPR Part Number Column.
4. The F2P assemblies are offered with two different electrical sections – Standard and with a Thermal Lockout. See Note 3 below.

Item No.	Part Name	Buna Part Number	Viton Part Number	EPR Part Number	QTY	Comments and Notes
1 ₋₁₂	Head (-12 SAE)	9327251	Same as Buna Part No.	Same as Buna Part No.	1	SAE J514-12 (1 1/16-12 Threads)
1 ₋₁₆	Head (-16 SAE)	9327252	Same as Buna Part No	Same as Buna Part No	1	SAE J514-16 (1 5/16-12 Threads)
2 ₋₀₁₅	Case for 015	840 4100 138	Same as Buna Part No	Same as Buna Part No	1	
2 ₋₀₂₅	Case for 025	840 4110 138	Same as Buna Part No	Same as Buna Part No	1	
2 ₋₀₃₀	Case for 030	840 4120 138	Same as Buna Part No	Same as Buna Part No	1	
3	Element	See Note 2	See Note 2	See Note 2	1	2
4	Nameplate	9327158	Same as Buna Part No	Same as Buna Part No	1	
5	Plug, Blind	851 0154 000	9314775	9324579	1	
6	Indicator, Visual	940 2100 206	9314771	9324577	1	
7	Electrical Section	See Note 3	See Note 3	See Note 3	1	3
8	Rev. Flow Vlv	9326517	Same as Buna Part No	Same as Buna Part No	1	4
9	Fitting, non-bypass	851 8580 716	9314776	9324580	1	5
10	Plug, Shipping	N/A	N/A	N/A	1	
11	O Ring	139-B	139-V	139-E	1	
12	Back-Up Ring	62505-30	Same as Buna Part No	Same as Buna Part No	1	
13	Fitting, Bypass	851 7600 016	9314778	9324582	1	5
14	O Ring	020-B	020-V	020-E		
15	Valve, Rev. Flow	9326763	Same as Buna Part No	Same as Buna Part No	1	4
16	Ring, Snap	9326523	Same as Buna Part No	Same as Buna Part No	1	4
17	Adapter	9326891	Same as Buna Part No	Same as Buna Part No	1	Used only with Items 9 & 13

- Note 1. To be used with document “F2P015-030 Pictorial”. Upon request, a specific parts list is available for any F2P filter assembly.
2. Consult the F2P brochure for element options
 3. The standard electrical section can be used in a normally open or in a normally closed configuration. It is field convertible between the two. See document “Electrical Section”. A Thermal Lockout electrical section is also available. It is available in either “Normally Open (P/N PiS3002)” or “Normally Closed (P/N PiS3003)” options.
 4. These detail parts are only used for filter assemblies have the Reverse Flow / Bypass option.
 5. Both item 9 and item 13 come with the O Ring that the element seals on. Additional information is available. See document “F2P Bypass Valve Assy”.

F2P015, 025 & 030 Filter Assembly - Pictorial

These filter assemblies are available in non-bypass (#9), bypass (#13) and reverse flow/bypass (#8, #15 & #16) options. See the F2P brochure for additional information.



F2P Bypass Valve Assembly

This F2P bypass Valve Assembly is available in two sizes. The **small size** is used on the F2P015, 025 and the 030. The **large size** is used on the F2P050, 080 and the 120. Both the small size and the large size are available with Buna, Viton or EPR seals. Table #1 gives the complete Bypass Valve Assembly part numbers for each seal configuration along with operating parameters. Table #2 provides replacement O Ring information.

Table #1 – Bypass Valve Assembly Part Numbers and Parameters			
	Small Size	Large Size	Notes
Bypass Valve with Buna Seals	851 7600 016	851 7610 016	
Bypass Valve with Viton Seals	9314778	9327664	1
Bypass Valve with EPR Seals	9324582	9327665	1
Bypass Cracking Pressure	100 PSID ± 10%	100 PSID ± 10%	
Material – Housing	Aluminum	Aluminum	
Used on Filter Assemblies	F2P015, 025 & 030	F2P050, 080 & 120	

Note 1. The Viton and EPR bypass valves are manufactured from the Buna bypass valve by replacing the O Rings.

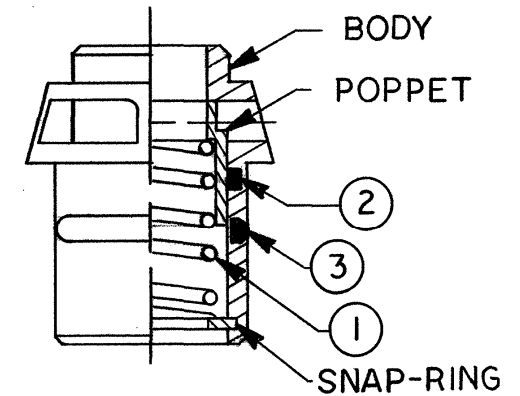


Table #2 – Component Part Numbers							
Item	Small Size			Large Size			Notes
	Buna	Viton	EPR	Buna	Viton	EPR	
#1	N/A	N/A	N/A	N/A	N/A	N/A	1
#2	020-B	M83248/1-020	7505524	131-B	M83248/1-131	7505547	2
#3	019-B	M83248/1-019	7505523	129-B	M83248/1-129	7505545	2

Note 1. The spring is not part of this conversion.
 2. Lubricate Buna and Viton O Rings with a mineral base fluid.
 Lubricate EPR seals with a phosphate ester fluid.

Instructions for changing out O Rings

1. Remove snap ring, spring & poppet.
2. Remove and discard O Rings.
3. Lubricate and install new O Rings.
4. Replace poppet, spring & snap ring.