

F1F 018-050 Series

Low Pressure Filter Assembly



Parts Matrix

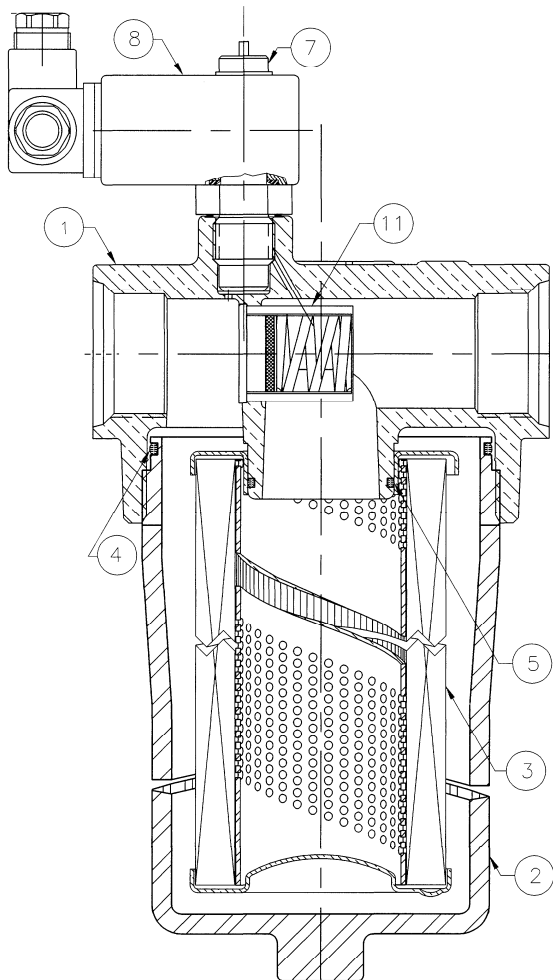
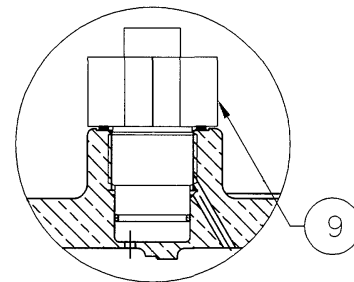
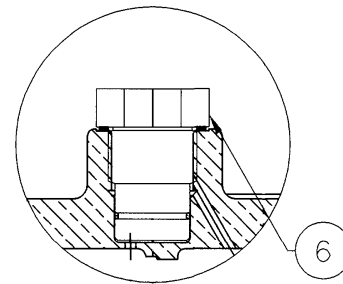
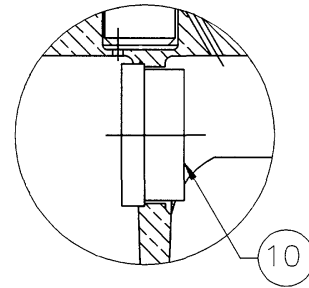
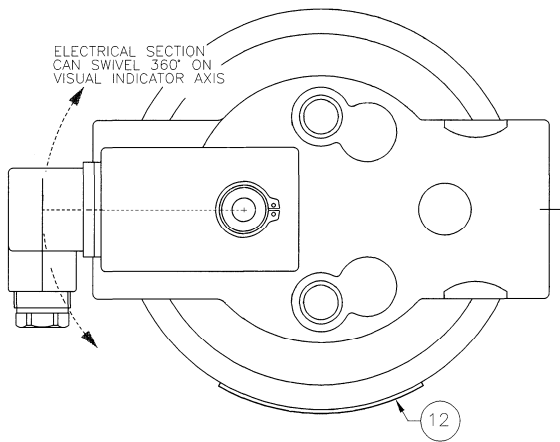
F1F Parts Matrix

Please read the following information prior to using this parts 'Matrix':

1. The Parts Matrix is designed to be used with the F1F Pictorial (F1F Pictorial.doc).
2. The F1F assemblies come in three different sizes: the -018, the -035 & the -050. Only the Bowl (#2) is different. A subscript has been added to the item number to differentiate between the sizes. See Items No. 2 in the table below.
3. The F1F assemblies are offered with either Buna or Viton O Rings. Use either the Buna or the Viton Part Number Column.
4. The F1F assemblies are offered with Visual Indicators having either a Manual reset or a Self-reset.
5. The F1F assemblies are offered with three different type of Electrical Sections: Standard, normally open with thermal lockout and normally closed with thermal lockout. The electrical sections must be used with the Visual Indicator (Item #9).

Item No.	Part Name	Buna Part Number	Viton Part Number	QTY	Comments and Notes
1	Head	CF-110-0151	Same as Buna Part No.	1	
2 ₋₀₁₈	Bowl (for 018 size)	CF-230-0021	Same as Buna Part No	1	
2 ₋₀₃₅	Bowl (for 035 size)	CF-230-0022	Same as Buna Part No	1	
2 ₋₀₅₀	Bowl (for 050 size)	CF-230-0023	Same as Buna Part No	1	Includes drain plug
3	Element	Please consult the F1F Brochure See Note #2 above.			
4	O Ring (Bowl to head)	9325960	9324587	1	Metric 105 x 3
5	O Ring (Element post)	131-B	131-V	1	Metric 42.52 x 2.62
6	Plug, Indicator	851-0455-016	9314774	1	
7	Visual Indicator (Manual reset)	851-0936-000	9314770	1	
8 _{STD}	Electrical Section (Standard)	851-9530-000	Same as Buna Part No	1	
8 _{TL-NO}	Electrical Section (Thermal Lockout)	PiS3002	Same as Buna Part No		Normally Open
8 _{TL-NC}	Electrical Section (Thermal Lockout)	PiS3003	Same as Buna Part No		Normally Closed
9	Visual Indicator (Self-resetting)	CF-440-0004	CF-440-0005	1	
10	Plug, non-bypass	Cf-040-0060	Same as Buna Part No	1	
11	Bypass Valve Assembly	851-0212-052	851-1201-052	1	
12	Nameplate	9327158	Same as Buna Part No	1	
13	Drain Plug	001.032.2	Same as Buna Part No	1	Only used on -050 Size
14	Gasket Plug	001.052.0	Same as Buna Part No	1	Only used on -050 Size

F1F Filter Assembly – Pictorial (To be used with F1F Parts Matrix.doc)



View of drain plug – used only on F1F050 Assemblies

