

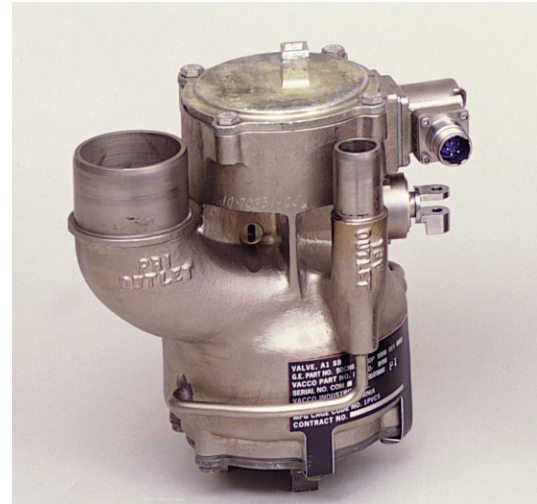
Anti-Ice / Starting Bleed Control Valve

This modulating poppet valve was designed to perform dual functions on gas turbine engines:

1. Provide hot air flow for engine anti-ice protection.
2. Automatically bleed air from the engine during the starting cycle.

The valve features two independent outlets with proportionate flows between them. During starting, this unit is full open to provide maximum bleed. An engine operated cam within the valve closes the valve automatically upon completion of the starting cycle.

Actuation of a solenoid switches the valve to the anti-icing mode where a cam schedules the correct flow area for anti-icing.



AIRCRAFT

Features

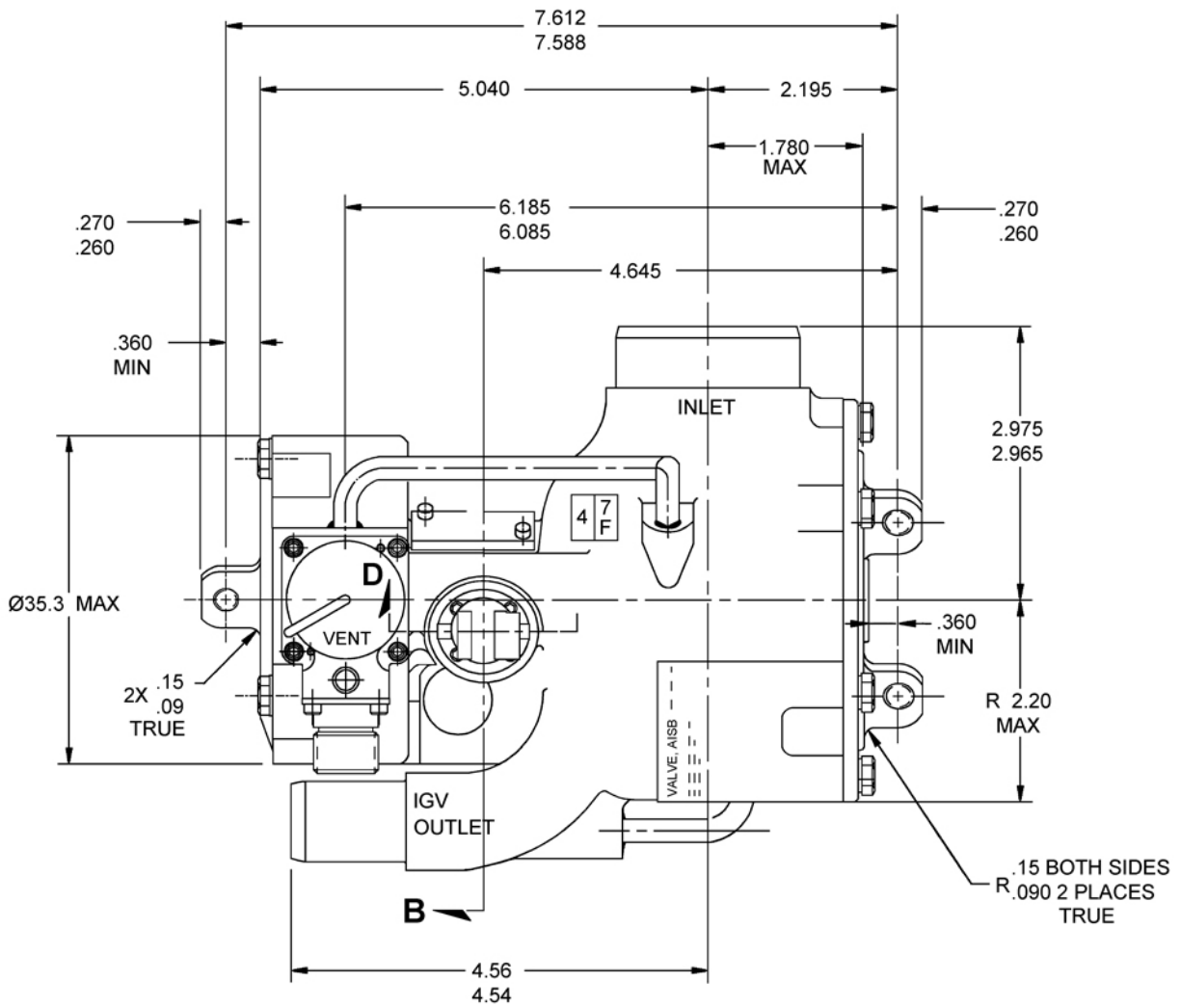
- Position indication
- High temperature capability
- No lubrication required
- Lightweight; approximately 5 lbm
- Compact, long life

Operating Parameters

Operating Pressure Range 0 to 50 psig
 Proof Pressure 100 psia
 Burst Pressure 165 psia
 Media Temperature..... -65°F to +480°F
 Ambient Temperature Range..... -65°F to +250°F
 Operating Leakage 0.15 lbs/min
 Non-Operating Leakage..... 0.45 lbs/min

Operating Voltage 16 to 30 VDC
 Maximum Current Consumption 1 amp
 Flow
 Start Bleed 0 to 0.64 lbs/sec
 Anti-icing 0.34 to 0.66 lbs/sec
 Weight.....5 lbm

Performance characteristics are based on customer requirements. As such, they are not representative of component capabilities or limitations.



Electric Schematic

