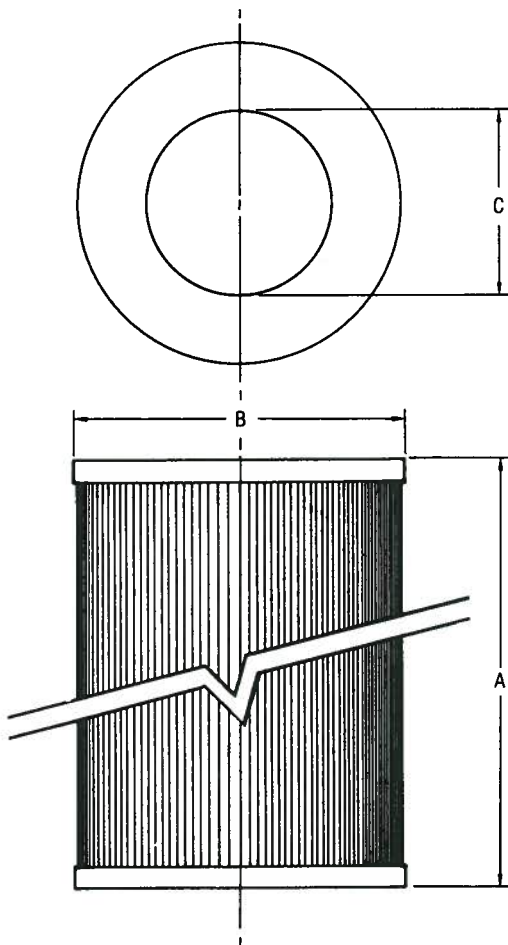




# AN-6236

Style Elements  
-1, -2, and -3 Sizes



**DIMENSION TABLE**

SIZE	+0.000 A -.062	+0.000 B -.062	C ±.031
-1	1.968	6.000	3.500
-2	4.000	6.000	3.500
-3	8.062	6.000	3.500

## ELEMENT DESCRIPTION

The AN-6236 style elements are available with nominal flow rates of 12 G.P.M., 24 G.P.M., and 48 G.P.M.

1. **The Micronic Element** - A resin impregnated cellulosic fiber construction that contains semi-depth pleating and high temperature curing. This curing transforms the basic structure into a durable heat-shock and chemical-resistant filter medium. The filtration efficiency of this low cost element is unmatched by others of comparable cost. They are ideal for high volume, high efficiency, applications where peak performance is as important as budget considerations.
2. **The Posipore® Element** - A dual stage filter medium that contains the micronic media as the outer stage for greater dirt holding capacity, and a cylindrical inner stage of stainless steel wire mesh for absolute particle size control.
3. **The Wire Cloth Element** - A pleating of extremely fine stainless steel wires with precisely formed pores, or by compressing and sintering webs of stainless steel fibers randomly laid into a three-dimensional labyrinth structure. This type of construction prevents all solid particles larger than a specific dimension (the absolute rating), from passing through.

A major feature of wire cloth elements is what they can be cleaned and reused a number of times before replacement is necessary, depending upon service conditions.

4. **Glas-Tech II®** - Our most advanced element available. This multi-layer construction utilizes a resin impregnated micro-fiberglass media that provides improved efficiencies, lower clean pressure drop, higher dirt holding capacities, and is more cost effective than our cellulosic fiber (Micronic) construction. These elements are available in 3, 6 and 23 micrometer removal ratings where  $\beta_x = 200$ . They are also available in 200 or 3000 P.S.I.D. collapse ratings.

# REPLACEMENT ELEMENT ORDERING INFORMATION

SIZE	Filtration Rating Options	Element Collapse Pressure Options P.S.I.D.	Replacement Element Ordering Numbers for use in specific fluids		
			Mil-H-5606 or equivalent	Mil-L-7808	Skydrol
<b>-1</b>	Micronic 2	75			6656392
	Micronic 10	75	*30314-20	62433-11	62433
	Posipore 2/10	300	7516100		
	Posipore 5/15	300	7516110		
	Posipore 10/20	300	7516120		
<b>-2</b>	Micronic 2	75	50384		
	Micronic 10	75	*30315-20	62434-11	62434
	Posipore 2/10	300	7516200		
	Posipore 5/15	300	7516210		
	Posipore 10/20	300	7516220		
<b>-3</b>	Micronic 2	75	50385	50385	50385
	Micronic 10	75	*30316-20	7516361	7516361
	Micronic 25	75	50241	50241	50241
	Beta 3	75	9314475	9314475	9314475
	Beta 8	75	9314476	9314476	9314476
	Beta 23	75	9314477	9314477	9314477
	Posipore 2/10	300	7516300	7516300	7516300
	Posipore 5/15	300	7516310	7516310	7516310
	Posipore 10/20	300	7516320	7516320	7516320
	Wirecloth 10/25	300	7516340	7516340	7516340
Element Gasket (1 element, 2 required) (2 elements, 3 required)			30102	6682750	62417

\*Conforms to AN-6235 Specifications.

Specifications subject to change without notice.



**PTI Technologies Inc.**  
 Fluid Power Products  
 501 Del Norte Blvd.  
 Oxnard, CA 93030  
 Tel: (800) 331-2701  
 Tel: (805) 604-3988  
 Fax: (805) 604-3917  
 filters@ptitechnologies.com  
 www.ptitechnologies.com

**Europe**  
**PTI Technologies Ltd.**  
 Orgreave Lane  
 Handsworth, Sheffield, S13 9NZ  
 United Kingdom  
 Tel: +44-114-269-3999  
 Fax: +44-114-269-1409  
 filters@ptitechnologies.co.uk