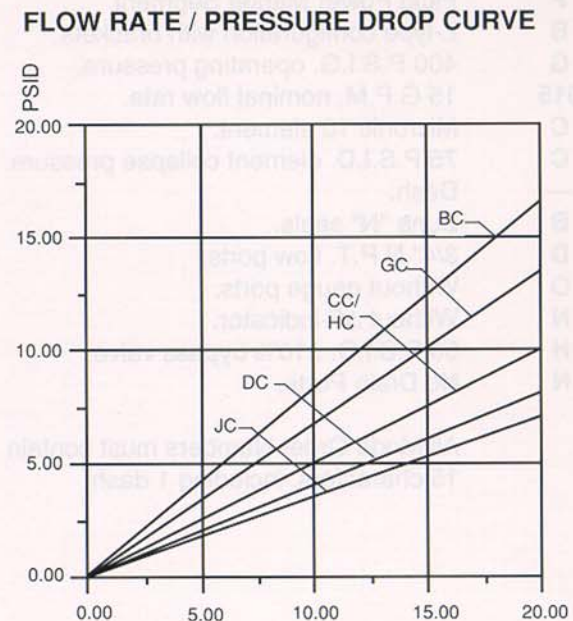
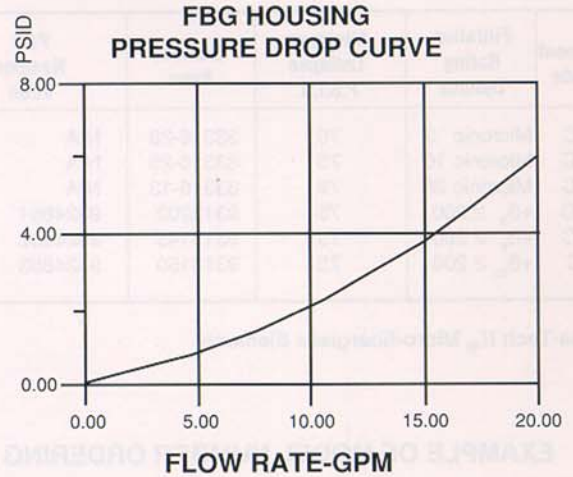
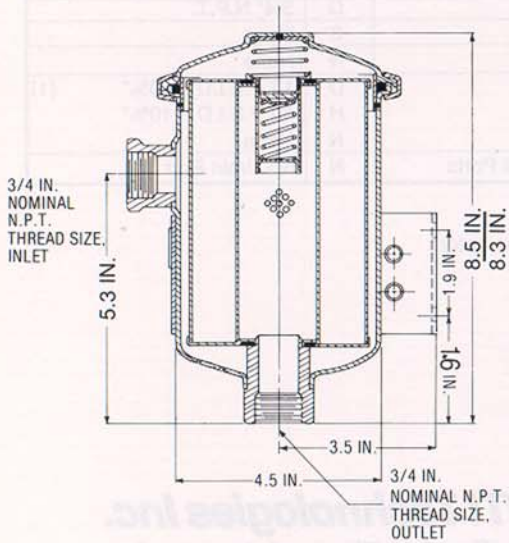
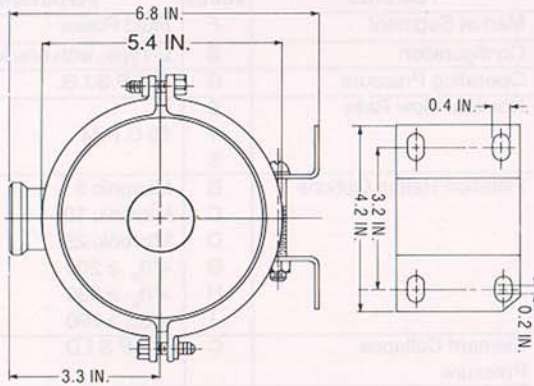


FBG-015

L-Type Hydraulic Filters
Nominal Pressure 400 P.S.I.G.
Nominal Flow Rate 15 G.P.M.



Using hydraulic fluid of 0.9 S.G. and 150 S.U.S.

TECHNICAL DATA

Pressure Ratings:

Operating 400 P.S.I.G.
 Proof 600 P.S.I.G.
 Burst 800 P.S.I.G. Minimum

Operating Temperature Range:

-40°F to +250°F

Materials:

Cover Steel
 Case Steel
 Elements:
 Micronic Cellulosic Fiber
 Glas-Tech II® Micro-fiberglass

Options:

Bypass Valve Setting 50 P.S.I.D. ±10% or
 15 P.S.I.D. ±10%

Ports:

3/4" N.P.T.

Weight:

7.0 lbs. average.

REPLACEMENT ELEMENT ORDER INFORMATION

Element Code	Filtration Rating Options	Minimum Collapse P.S.I.D.	Element Buna	Part Number Viton
BC	Micronic 3	75	33316-23	N/A
CC	Micronic 10	75	33316-25	N/A
DC	Micronic 25	75	33316-13	N/A
GC	+β ₃ ≥ 200	75	9313202	9324851
HC	+β ₆ ≥ 200	75	9313145	9324852
JC	+β ₂₃ ≥ 200	75	9313150	9324853

+Glas-Tech II® Micro-fiberglass Elements

EXAMPLE OF MODEL NUMBER ORDERING

CODE FBG015CC-BDONHN

F Fluid Power Market Segment
 B L-type configuration with brackets.
 G 400 P.S.I.G. operating pressure.
 015 15 G.P.M. nominal flow rate.
 C Micronic 10 element.
 C 75 P.S.I.D. element collapse pressure.
 — Dash.
 B Buna "N" seals.
 D 3/4" N.P.T. flow ports.
 O Without gauge ports.
 N Without ΔP indicator.
 H 50 P.S.I.D. ±10% bypass valve.
 N No Drain Ports.

All Model Order Numbers must contain 15 characters, including 1 dash.

FILTER ASSEMBLY MODEL

Character Position NUMBER ORDERING INFORMATION

Character Position	FEATURES	CODES	DEFINITIONS
1	Market Segment	F	Fluid Power
2	Configuration	B	L-Type, with brackets
3	Operating Pressure	G	400 P.S.I.G.
4	Nominal Flow Rate	0	
5		1	15 G.P.M.
6		5	
7	Filtration Rating Options	B C D G H J	Micronic 5 (1) Micronic 10 Micronic 25 +*β ₃ ≥ 200 +*β ₆ ≥ 200 +*β ₂₃ ≥ 200
8	Element Collapse Pressure	C	75 P.S.I.D.
9	Dash	—	
10	Seal Material Options	B V	Buna "N" (1) Viton "A"
11	Flow Ports	D	3/4" N.P.T.
12	Gauge Ports	0	None
13	ΔP Indicator	N	None
14	Bypass Valve	D H N	15 P.S.I.D. ±10%* (1) 50 P.S.I.D. ±10%* None
15	Fill, Drain, Vent Ports	N	No Drain Port

NOTES

(1) Use one code character.

 **PTI Technologies Inc.**
 Purification Through Innovation

Fluid Power Products., 501 Del Norte Blvd, Oxnard, CA 93030
 Toll Free: (800) 331-2701, Tel: (805) 604-3988, Fax: (805) 604-3917
 filters@ptitechnologies.com • www.ptitechnologies.com