

F4S SERIES

50 GPM FILTERS FOR
SUCTION APPLICATIONS

FEATURES

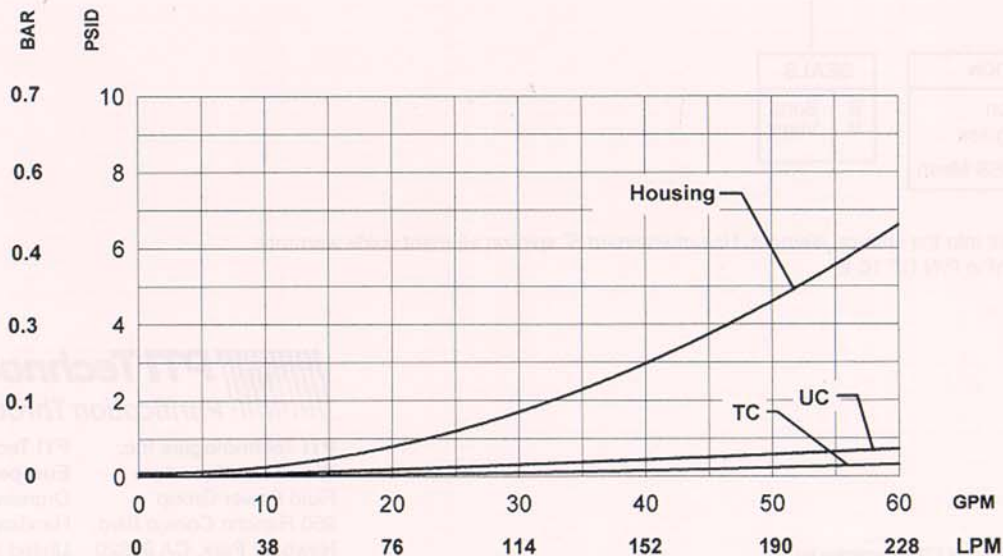
- Flows to 50 GPM (190 LPM)
- Visual or electrical indicators
- Cannot be operated without element
- 3 PSI bypass

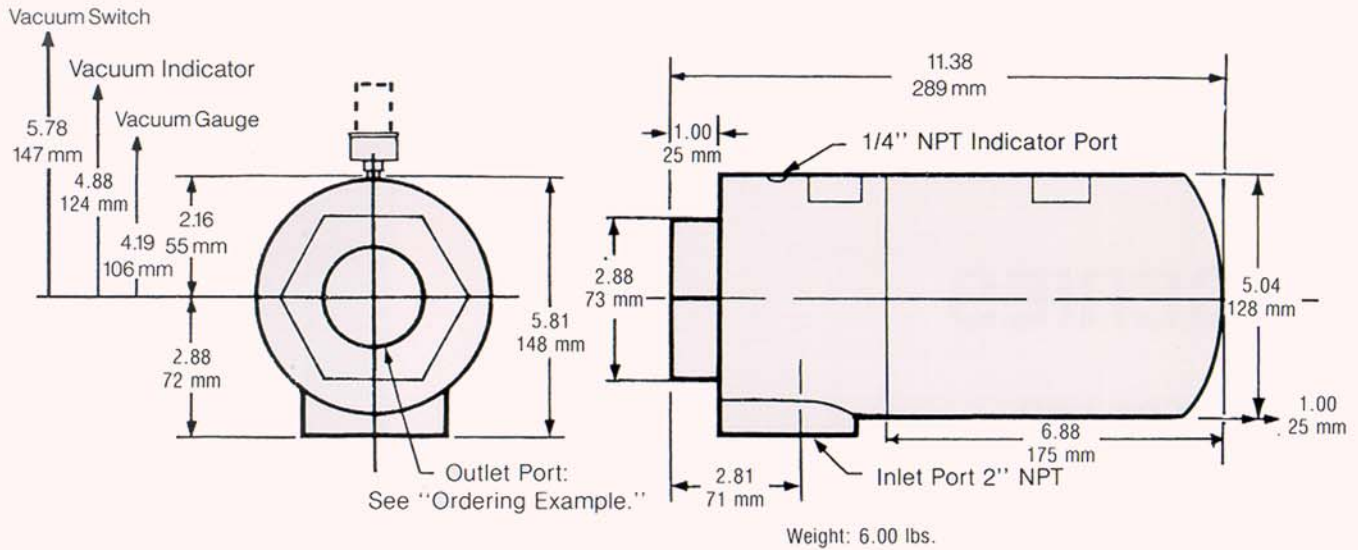
TECHNICAL INFORMATION

The F4S series with 40 micron Micro-fiberglass element is rated at 50 psi working pressure and cannot be operated without the integral spin-on element in place. The filter can be used with mineral oils, water glycols, high water-based, emulsions and phosphate ester fluids. The 40 micron Micro-fiberglass depth media is well proven in thousands of applications. Excellent particle retention is assured with very low pressure drop, flows to 50 GPM.

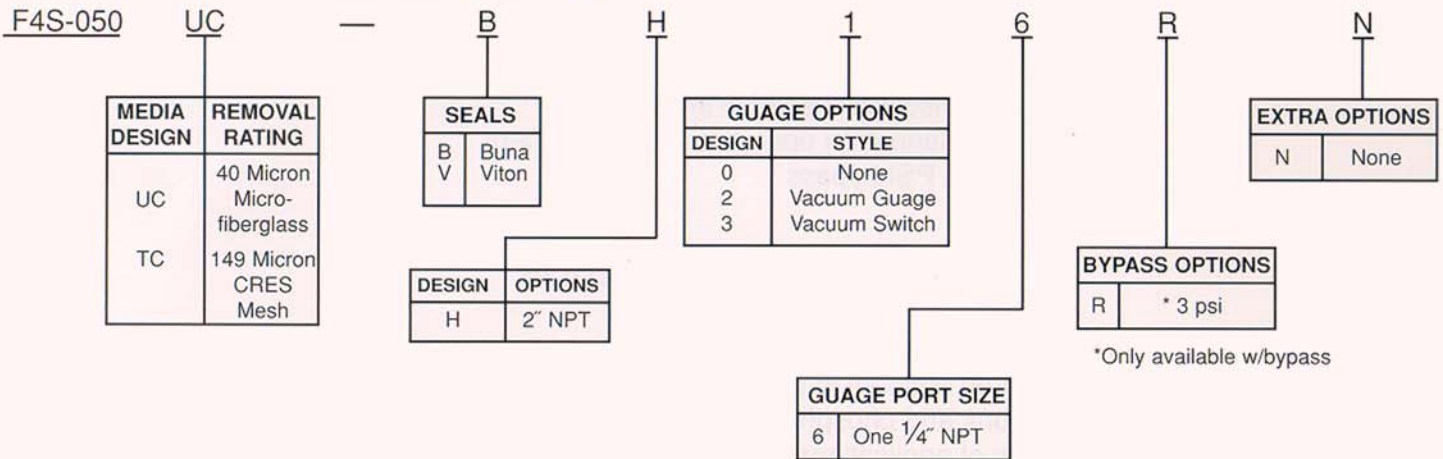
Flow vs Pressure Drop

NOTE: Flow curves are for clean elements using hydraulic fluid with a 0.9 S.G. and viscosity of 150 sus.



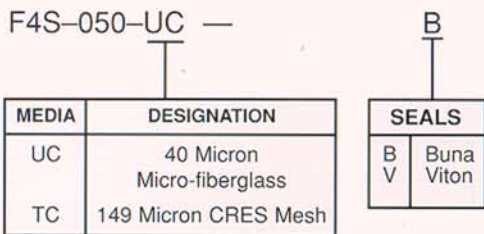


ASSEMBLY ORDERING INFORMATION:



Note: not recommended for use on low volume (5 gpm or less) variable piston pumps.

REPLACEMENT ELEMENT ORDERING INFORMATION:



Note: Bypass valve is built into the spin-on element. Use of standard 5" spin-on element voids warranty. Interchangeable with CanFlo P/N CF 10-E

PTI Technologies Inc.
Purification Through Innovation

Fluid Power Products
501 Del Norte Blvd.
Oxnard, CA 93030
Toll Free: (800) 331-2701
Tel: (805) 604-3988
Fax: (805) 604-3917
filters@ptitechnologies.com
www.ptitechnologies.com